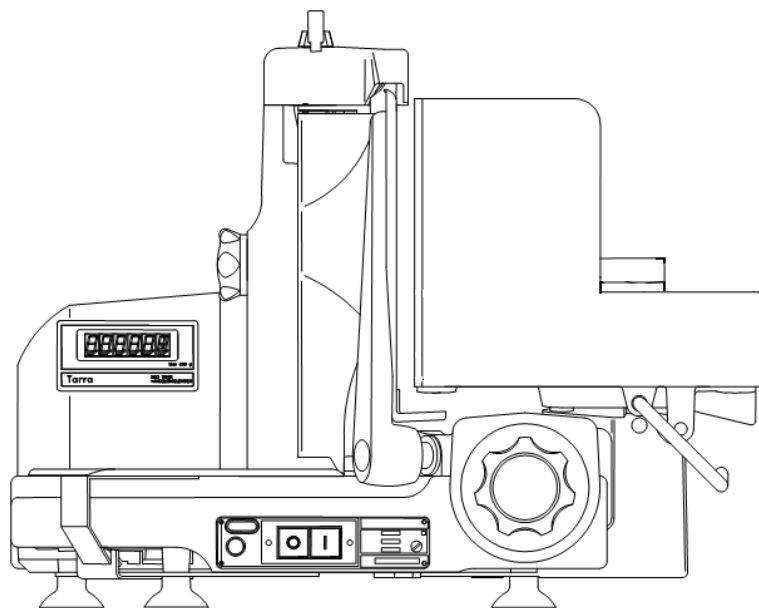


Exploded view slicers

834Safe and 834Safe Combi



DEKO Holland
Simon Stevinweg 19
6827 BX Arnhem
The Netherlands
Tel: +31-(0)26-384 90 80
Fax: +31-(0)26-384 90 83

February 2010



Index

- Recommended spare parts list Page:
- Base Page:
- Knifebox Page:
- Switch plate 110V/230V and 380V/400V Page:
- Thickness regulator Page:
- Slide assembly Page:
- Sharpener Page:
- Meat tables Page:

- Weighing unit (option) Page:
- Bottom pinplate (option) Page:
- Product fence (option) Page:



Recommended spare parts list 834-S

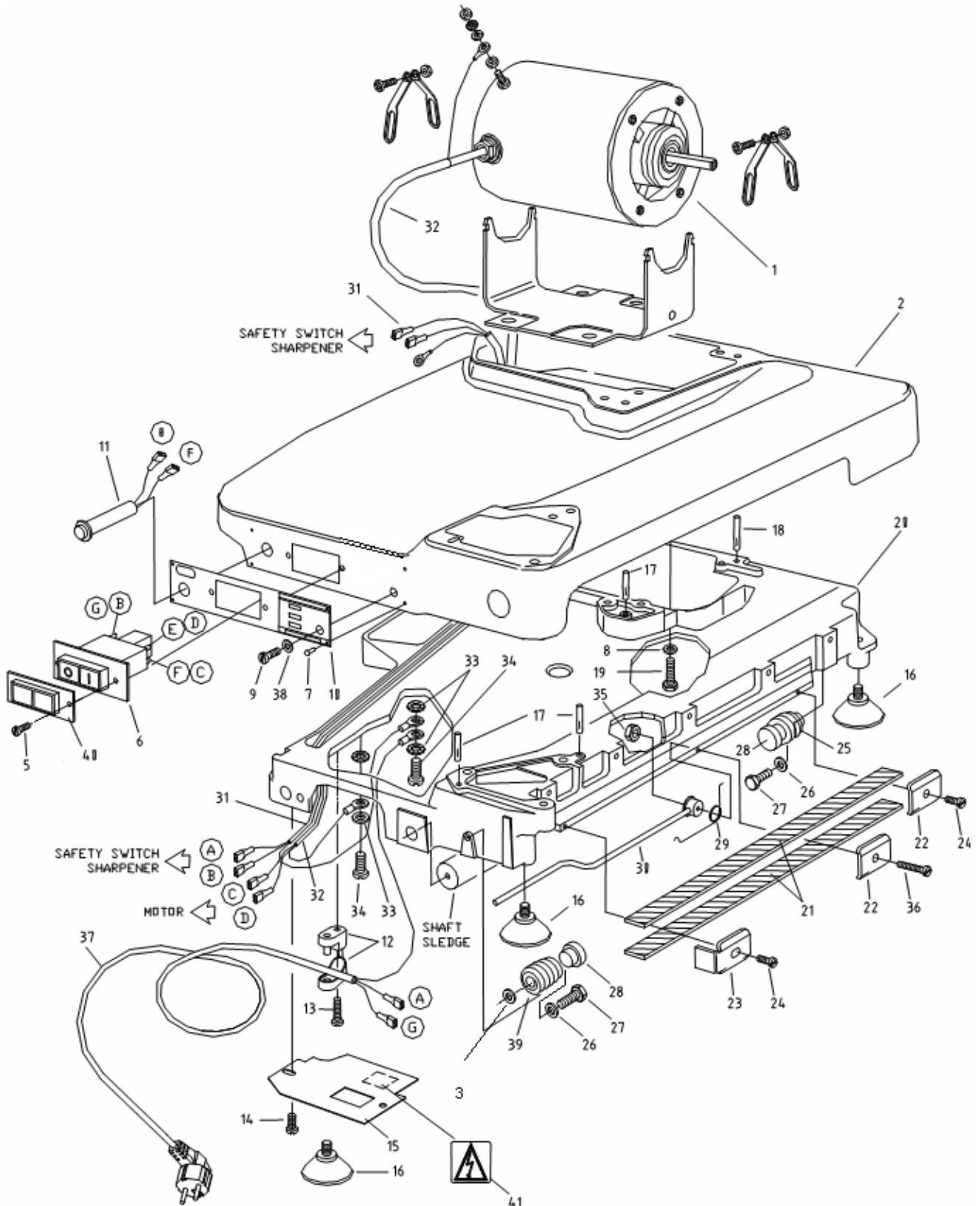
Part no.	Description	Assembl	recommended as serialno
2301-5202	V-Belt	knife box	622409
2501-1020	motor 220/240 Volt IP23	base	622409
2501-1021	motor 400 Volt IP23	base	622409
2601-1107	on/off switch 230 Volt	base	622409
2601-1108	on/off switch 400 Volt	base	622409
2601-1111	micro switch	knife box	626949
3101-4011	coverplate	meat table	622409 - 635772
3201-6123	knob	meat table	631256
3301-4548	wire tack	meat table	631256
3301-4566	centre pin	meat table	631256
3501-3447	knife	knife box	622409
3801-3194	cover cap	meat table	622409
3801-3200	centre plate knob	knife box	622409
3801-3239	cap	index	622409
3801-3398	seal ring	knife box	631256
3801-3392	safety guard	meat table	622409 - 635772
4101-3879	signal lamp 380 Volt	base	622409
4101-3380	signal lamp 230 Volt	base	622409
4101-3889	main cable 230 Volt	base	622409
4101-3891	main cable 380 Volt	base	622409
4301-3404	sharpening stone with shaft	sharpener	622409
4301-3405	deburring stone with shaft	sharpener	622409
4301-3824	pusher guard	meat table	631256
4401-3123	knife centre plate	knife box	622409
4401-3366	deflector	knife box	622409
3301-4246	sharpener knob steel	sharpener	622409 -632811, after not recommended

Verbas B.V. – DEKO Holland



Exploded view: Base

Concern code rev: 4601 - 1012 - 02



Verbas B.V. – DEKO Holland



Exploded view: Base

Concern code rev: 4601 - 1012 – 05

Pos	Part no.	Qty	Description	As of serialno.
1	2501-1020	1	Motor 230V/50 Hz IP 23	628261
	2501-1021	1	Motor 400V/50 Hz IP 23	628561
	2501-1007	1	Motor 110V/60 Hz	629483
	2501-1027	1	Motor 230V/60Hz special made	635154
2	3401-4234	1	Cover	622409
3	2101-8073	1	Ring M8 DIN 7349	
5	2101-0050	2	Screw 3,9x13 DIN7971 RVS using only with ETA switch 230V 2601-1107	629300
6	2601-1107	1	On-Off NVR switch ETA 230V type 3120F22F	629300
	2601-1108	1	On-Off switch Weber type Amazonas 400V	622409
	2601-1115	1	On-Off switch 115V AC/ 12A ETA + NVR	634095
7	2133-0346	4	Rivet	622409
8	2101-8515	5	Lock washer B6 DIN127 RVS	622409
9	3201-6115	1	Screw	622409
10	3101-4046	1	Legend plate 230V	628261
	3101-4047	1	Legend plate 400V	628561
	3101-4045	1	Legend plate 110V	634095
11	4101-3880	1	Pilot lamp 230V (white)	622409
	4101-3879	1	Pilot lamp 400V (white)	622409
	4101-3904	1	Pilot lamp 110V (red)	629483
12	2201-9050	1	Strain relief Elin type ZEO	622409
13	2101-2089	1	Screw M4x30 DIN84 4,8 E3E	622409
14	2101-2108	2	Screw M4x6 DIN85 RVS A2	622409
15	3401-4524	1	Cover plate 628261	
16	3601-3306	4	Rubber foot 622409	
17	2201-3016	3	Grooved pin 4x16 DIN1474 RVS	622409
18	2201-3017	1	Grooved pin 4x40 DIN1474 E3E	622409
19	2101-1022	4	Bolt M6x25 DIN933 A3A	622409
20	3701-3357	1	Main frame 622409	
21	3401-3780	2	Strip	622409
	3401-4503	2	Strip special for Belgium	622409
22	3401-3785	2	Clamp	622409
23	3401-4235	1	Clamp	622409
24	2101-4075	2	Screw M4x12 DIN963 4,8 E3E	62240925
25	3201-3267	1	Helical buffer spring (long) 622409	622409

Verbas B.V. – DEKO Holland



Exploded view: Base

Concern code rev: 4601 - 1012 – 00

Pos	Part no.	Qty	Description	As of serialno
26	2101-8050	2	Ring 6,4 DIN433 stainless steel	622409
27	2101-1076	2	Screw M6x12 DIN933 SZ 8,8 E3E	622409
28	3801-3139	2	Rubber buffer 622409	
29	3201-3334	1	Helical torsion spring	622409
30	4301-3730	1	Locking bar 622409	
31	4101-3888	1	Cable sharpener switch 230V	622409
	4101-3890	1	Cable sharpener switch 400V	--
	4101-3912	1	Cable sharpener switch 110V UL	630019
32	4101-3887	1	Cable knife motor 230V	622409
	2101-3530	1	Cable knife motor 400V	--
	4101-3911	1	Cable knife motor 110V UL	630019
33	2101-9115	4	Lock washer J4,3 DIN6798	622409
34	2101-2075	2	Screw M4x6 DIN85	622409
35	2101-7025	1	Locknut M4 DIN934 RVS	622409
36	2101-4075	1	Screw M4x40 DIN963 RVS	622409
37	4101-3889	1	Power supply cable 230V	622409
	4101-3891	1	Power supply cable 400V	--
	4101-3905	1	Power supply cable 110V	--
	4101-3892	1	Power supply cable 230V Switzerland	--
	4133-5010	1	Power supply cable 230V England	--
38	2101-8515	1	Lock washer B6 DIN127 RVS A2	622409
39	3201-3359	1	Spring	622409
40	3601-3012	1	Rubber protection hood on/off switch 230V/110V	633653
	3601-3013	1	Rubber protection hood on/off switch 400V	633972
41	3101-4010	1	Warning sticker	622409

Special service group:

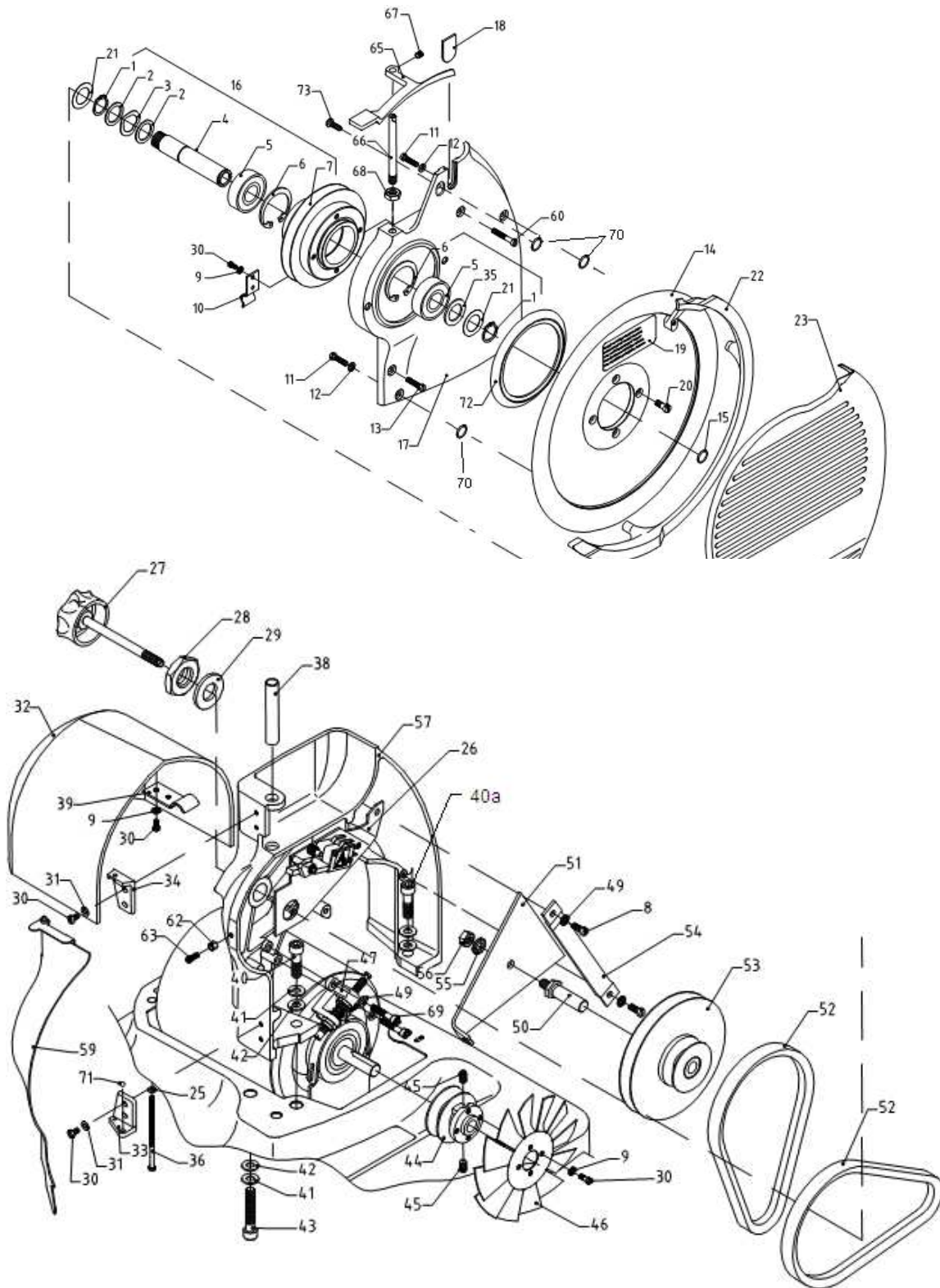
4699-0002	1	ETA switch 230V incl plastic seal frame for fitting in identity plate with hole of 25 x 50 mm	621864 - 629300
-----------	---	---	-----------------

Verbas B.V. – DEKO Holland



Exploded view: Knifebox

Concern code rev: 4601 - 1005 - 03



Verbas B.V. – DEKO Holland



Exploded view: Knifebox

Concern code rev: 4601 - 1005 - 05

Pos	Part no.	Qty	Description	As of serialno
1	2201-4835	2	20 x 1.2 DIN471	622409
2	3201-6096	2	20.5 x 28 x 1.5 Washer	622409
3	2101-8517	1	21 x 30.5 x 0.5 Wave washer	622409
4	3301-3792	1	Knife shaft	622409
5	2301-7021	2	20 x 47 x 14 Ball bearing	622409
6	2201-4834	2	47 x 1.75 DIN472	622409
7	3701-3168	1	Pulley	626949
8	2101-2088	2	M5 x 12 DIN85 RVS	634125
9	2101-9115	8	J4.3 DIN6798	622409
10	3401-3794	1	Clamp	622409
11	2101-2072	2	M5 x 20 DIN85	622409
12	2101-8516	2	5 DIN7980	622409
13	2101-2150	1	M5 x 20 DIN84 RVS	622409
14	3501-3447	1	Knife carbon steel	622409
	3501-3765	1	Knife stainless steel	--
	3501-3770	1	Knife teflon finishing	622409
	3501-3727	1	Knife UK	--
	3501-3799	1	Knife UK teflon finishing	--
15	2201-4840	1	lock washer 13 x 1.5 RVS	622409
16	4301-3387	1	Knife shaft assy;pos.nrs:1,2,3,4,5,6,7,21,35	626949
17	3701-3480	1	Knife box cover	633722 with holes
18	3401-3791	1	Sharpener guide	628261
19	3101-3426	1	Instruction sticker	622409
20	2101-2074	4	M6 x 12 DIN84 RVS	622409
21	3201-6091	2	20.5 x 32 x 0.3 Washer	622409
22	3701-3478	1	Blade guard	628261
	3701-3482	1	Blade guard teflon finishing	628261
23	4401-3123	1	Blade cover (knife centre plate)	622409
	4401-3376	1	Blade cover teflon finishing	622409
25	2101-8051	2	A4.3 DIN125 E3E	622409
26	4601-3782	1	Switch unit	626949
27	3801-3200	1	Centre plate knob	622409
28	3201-6078	1	Special nut M18 x 1	622409
29	3201-6089	1	18.25 x 31 x 2 washer	622409
30	2101-2080	12	M4 x 8 DIN85 RVS	626949
31	2101-8067	4	4.3 DIN9021 RVS	622409
32	3701-3169	1	Motor cover	622409
33	3801-3376	1	Stop bracket	622409
34	3801-3375	1	Bracket	622409
35	3201-6090	1	Washer 20,5x32x2	622409
36	2101-2073	2	M4 x 80 DIN84 E3E	622409
38	3301-3795	1	Tube	622409
39	3401-3793	1	Coverclamp	622409

Verbas B.V. – DEKO Holland



Exploded view: Knifebox

Concern code rev: 4601 - 1005 - 03

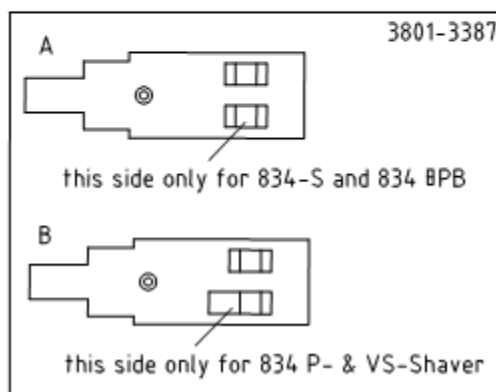
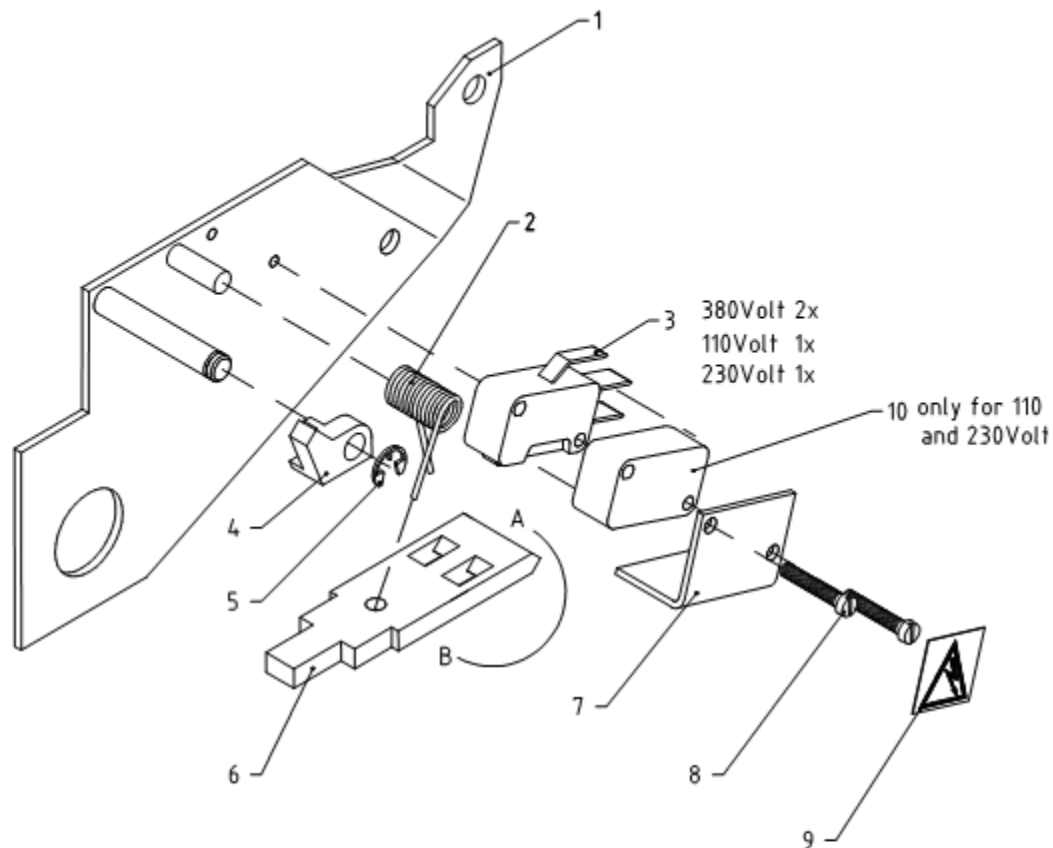
Pos	Part no.	Qty	Description	As of serialno
40	2101-3103	1	M8 x 35 DIN912 A3A	622409
40a	2101-3101	1	M8 x 25 DIN912	
41	2101-9201	3	18 x 8.2 x 0.8 DIN2093	622409
42	2101-8020	3	8.4 DIN125 RVS A2	628261
43	2101-3104	1	M8 x 45 DIN912	622409
44	3701-3162	1	Motor pulley	626949
	3301-4540	1	Motor pulley USA	630019
45	2101-3110	2	M6 x 12 DIN916	622409
46	3401-3779	1	Fan	622409
47	4301-3389	1	V-belt stretcher	626949
48	2101-2062	4	M5 x 12 DIN85	634125
49	2101-9116	4	J5.3 DIN6798	626949
50	3301-3789	1	Shaft for idler plate	626949
51	3401-3789	1	Belt idler plate	626949
52	2301-5202	2	V-belt	626949
53	4301-3391	1	Counter shaft pulley	626949
54	3401-4558	1	Belt idler strip	634125
55	2101-9119	1	A8.4 DIN6798	626949
56	2101-7049	1	M8 DIN 934 E3E	626949
57	3701-3215	1	Knifebox	622409
59	4401-3366	1	Deflector	622409
	4401-3374	1	Teflon deflector	622409
60	2101-2151	1	M5 x 30 DIN84 RVS	626949
62	3301-4438	1	Nut	622409
63	2101-7100	1	Stop stud M4 DIN927	622409
65	3501-3784	1	Blade guard bracket	628261
	3501-3785	1	Teflon blade guard bracket	628261
66	3301-4536	1	Shaft	628261
67	2101-3253	1	M6 x 6 DIN916 RVS	622409
68	2101-7046	1	M8 DIN936 RVS	622409
69	2101-2082	2	M5 x 10 DIN85 RVS	626949
70	2101-8050	3	Ring	
71	2301-7051	1	Ball Ø5mm	622409
72	3801-3398	1	Seal-ring	633722
73	2101-2088	1	M5 x 16 DIN85 RVS	633722
	4301-3715	1	Knifebox complete pos. nr.: 57 & 38	622409
	4301-3388	1	Belt idler plate pos. nr.: 50, 51, 55, 56	
	4601-3820	1	Deflector complete pos.nr: 30,31,33,34,59,71	622409

Verbas B.V. – DEKO Holland



Exploded view: Switch plate 110V/230V
and 380V/400V

Concern code rev: 4601 - 3782 - 01



Verbas B.V. – DEKO Holland

Exploded view: Switch plate 110V/230V
Concern code rev: 4601 - 3782 - 01



Pos	Part no.	Qty	Description	As of serialno
1	4301-3811	1	Mountingplate	626949
2	3201-3361	1	Torsion spring	626949
3	2601-1111	1	Micro switch without lever	626949
4	3801-3386	1	Switch cam	626949
5	2201-4841	1	4 DIN6799 RVS	626949
6	3801-3387	1	Switch plate	626949
7	3401-4500	1	Guide plate	626949
8	2101-2050	2	M3 x 25 DIN84 RVS	626949
9	3101-4010	1	Warning sticker	626949
10	3801-3396	1	Plastic dummy micro switch	626949

Verbas B.V. – DEKO Holland

Exploded view: Switch plate 380V/400V
Concern code rev: 4601 - 3859 - 00

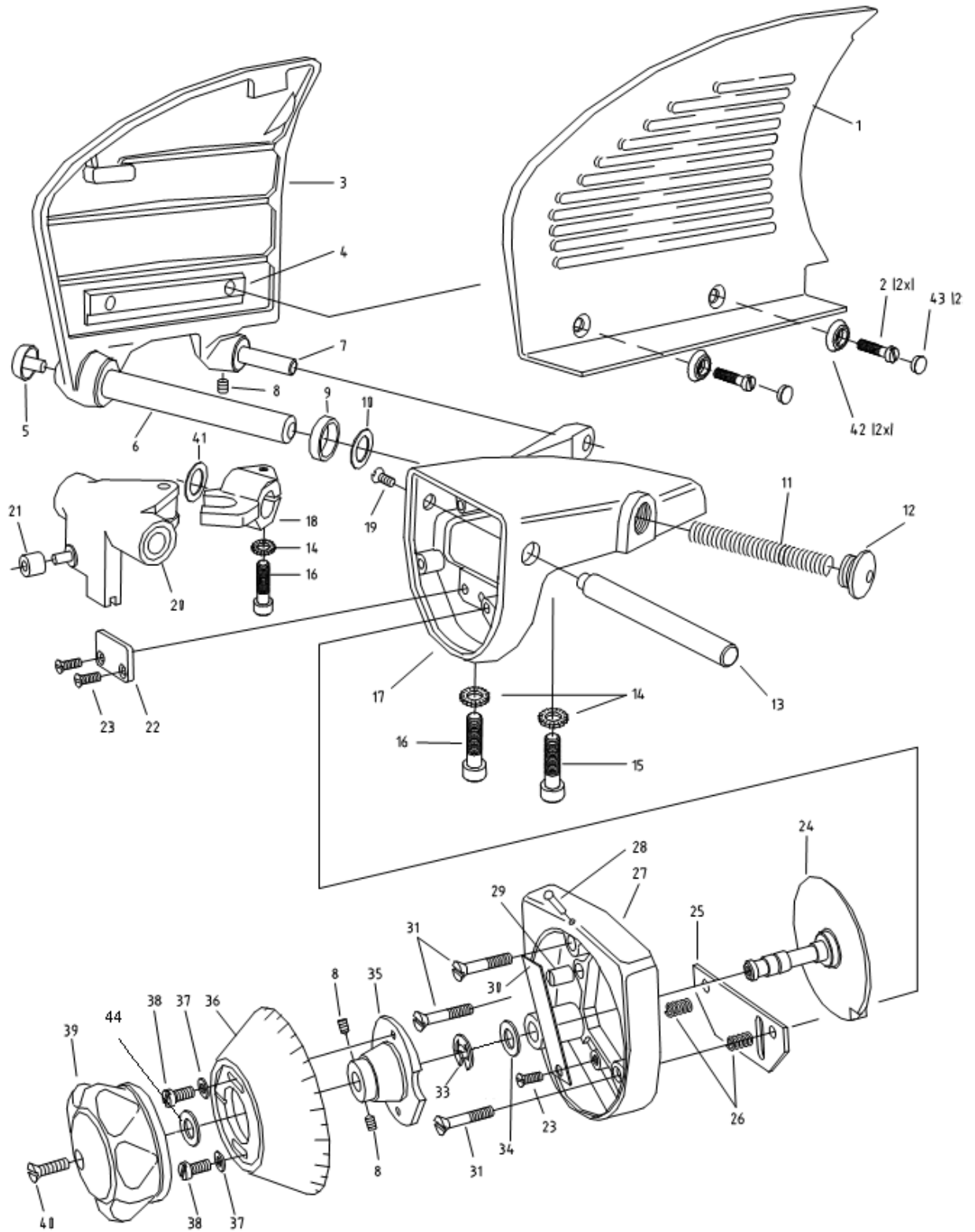


Pos	Part no.	Qty	Description	As of serialno
1	4301-3811	1	Mountingplate	627123
2	3201-3361	1	Torsion spring	627123
3	2601-1111	2	Micro switch without lever	627123
4	3801-3386	1	Switch cam	627123
5	2201-4841	1	4 DIN6799 RVS	627123
6	3801-3387	1	Switch plate	627123
7	3401-4500	1	Guide plate	627123
8	2101-2050	2	M3 x 25 DIN84 RVS	627123
9	3101-4010	1	Warning sticker	627123

Verbas B.V. – DEKO Holland



Exploded view: Thickness regulator
Concern code rev: 4601 - 1007 - 01





Exploded view: Thickness regulator

Concern code: 4601 - 1007 - 01

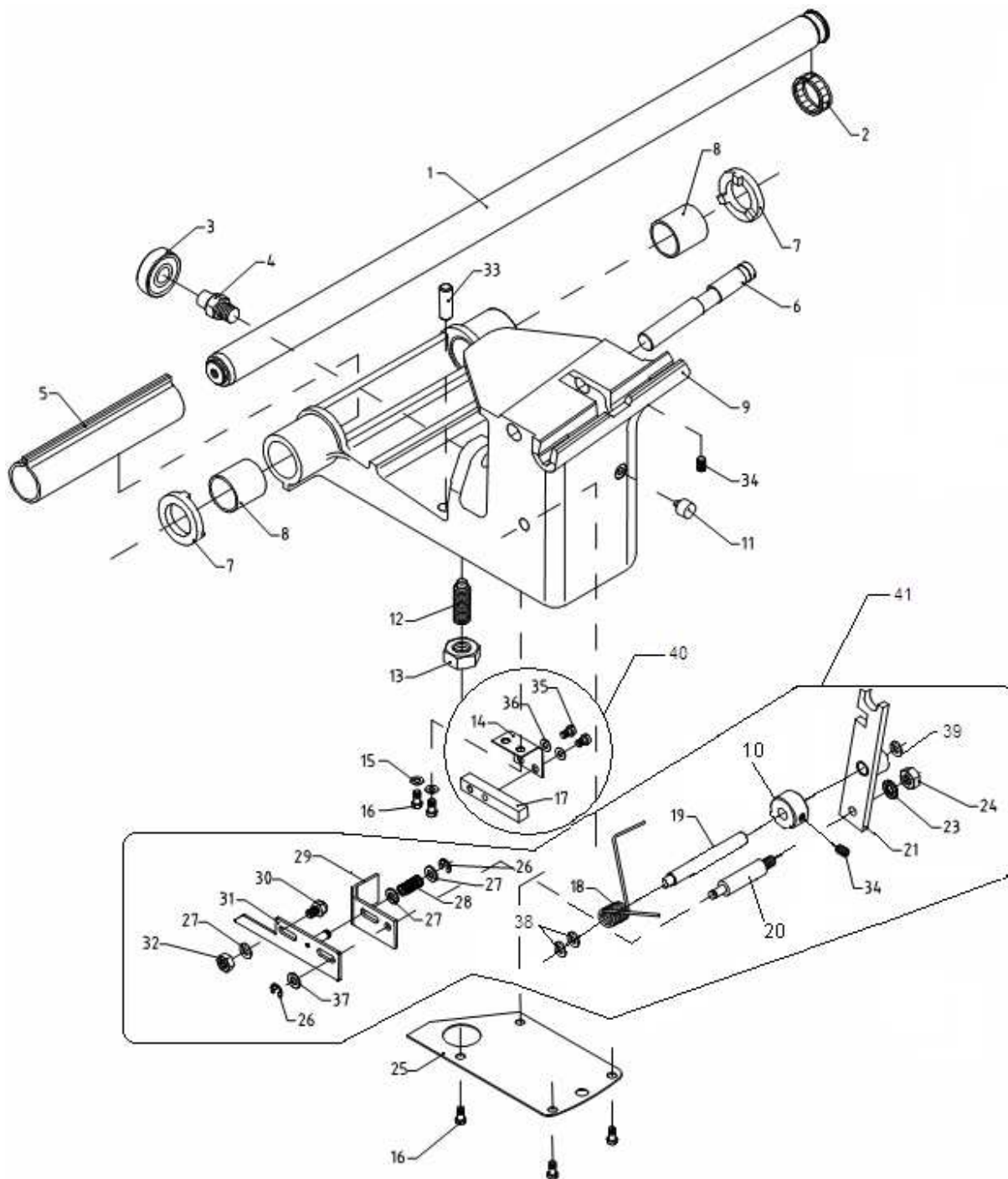
Pos	Part no.	Qty	Description	As of serialno
1	4401-3380	1	Stainless steel thickness plate	628477
	4401-3381	1	Teflon thickness plate	628477
2	2101-4046	2	Screw M5x16 DIN963 4,8 RVS	628261
3	3701-3344	1	Support thickness plate	622409
4	3501-3570	1	Clamp strip 622409	
5	3801-3239	1	Closing cap 622409	
6	3301-4163	1	Guide shaft (long)	622409
7	3301-3916	1	Guide shaft (short)	622409
8	2101-3262	3	Set screw M6x8 DIN916 RVS A2	634175
9	3401-3846	1	Felt cap 622409	
10	3401-3845	1	Felt ring 622409	
11	3201-3269	1	Helical spring 622409	
12	3701-3207	1	Special closing nut	622409
13	3301-3920	1	Shaft 622409	
14	2101-9119	3	Washer A8,4 DIN6798 PUR	622409
15	2101-3103	1	Hex. socket screw M8x35 DIN912 45H	622409
16	2101-3101	2	Hex. socket screw M8x25 DIN912 RVS	622409
17	3701-3340	1	Base thickness regulator	622409
18	3701-3206	1	Sliding fork 622409	
19	3201-6117	1	Special screw 622409	
20	4301-3454	1	Guide piece 622409	
21	3301-3919	1	Guide roller 622409	
22	3401-3844	1	Guide plate 622409	
23	2101-2080	3	Screw M4x8 DIN85 RVS	622409
24	3701-3398	1	Spiral cam 622409	
25	3401-4227	1	Guide plate for safety	622409
26	3201-3332	2	Helical spring D-072	622409
27	3701-3342	1	Front plate thickness regulator	622409
28	2201-3406	1	Rivet 3x 3/16" RH RVS	622409
29	3801-3192	1	Friction pin 622409	
30	3201-3268	1	Leaf spring 622409	
31	2101-4042	3	Screw M4x30 DIN963 4,8 E3E	622409
33	2201-4836	1	Circlip 9 DIN6799 A3A	622409
34	3301-3917	1	Washer 622409	
35	3701-3353	1	Hub for knob 622409	
36	3801-3191	1	Dial scale 622409	
37	2101-8054	2	Washer A4,3 DIN125 E3E	622409
38	2101-2077	2	Screw M4x10 DIN85 RVS	622409
39	3801-3204	1	Index knob 622409	
40	2101-4032	1	Screw M5x16 DIN964 4,8 chrome plated	622409
41	3301-4485	1	Blocking ring 628261	
42	3301-4537	2	Ring 628261	
43	2201-9065	2	Closing cap 628261	
44	2101-8049	1	Ring M5 DIN 433	622409

Verbas B.V. – DEKO Holland



Exploded view: Slide assembly

Concern code rev: 4601- 1009 - 03



Verbas B.V. – DEKO Holland



Exploded view: Slide assembly

Concern code rev: 4601- 1009 - 03

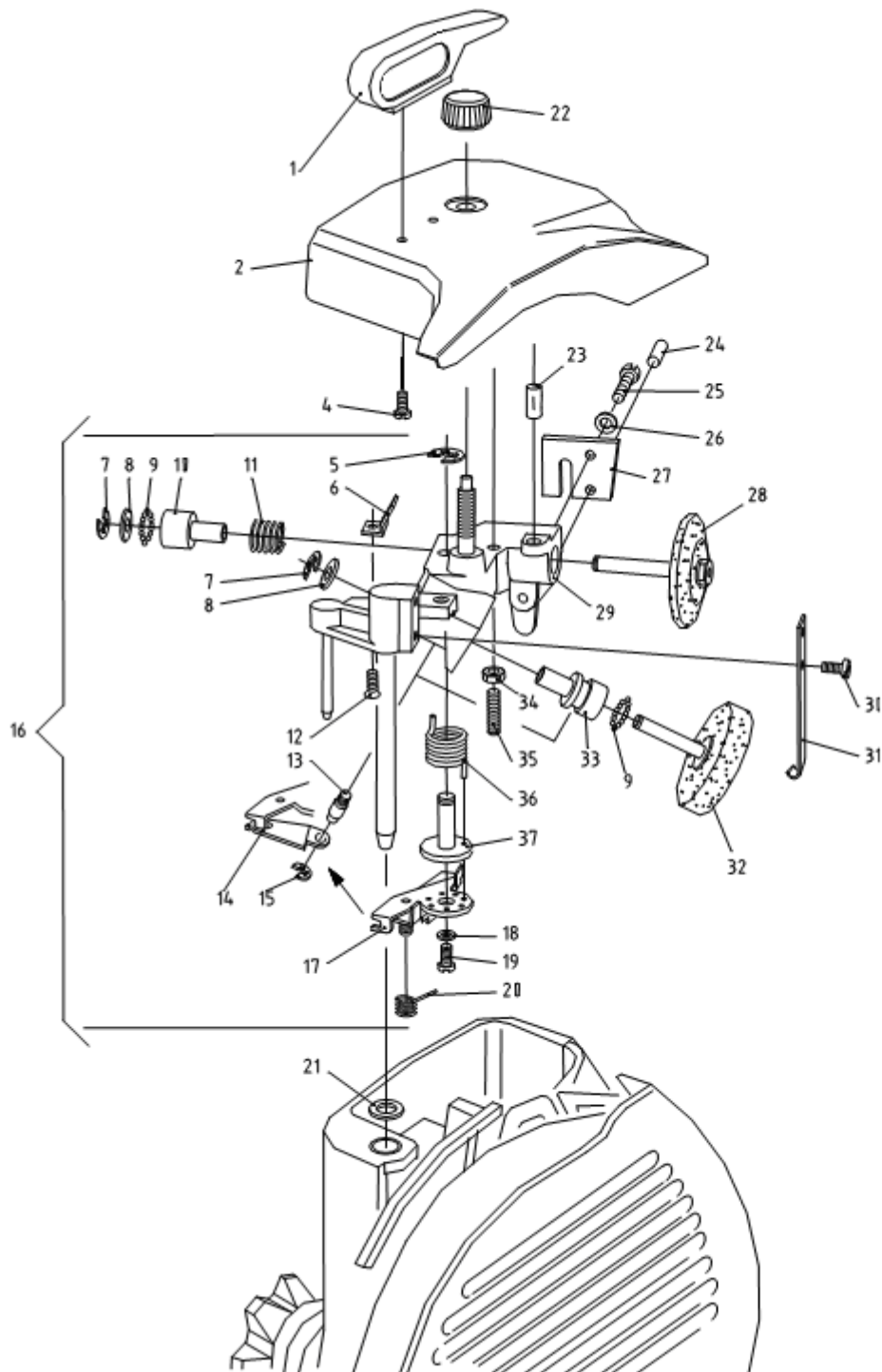
Pos	Part no.	Qty	Description	As of serialno
1	3301-4614	1	sliding shaft	
2	2201-4850	1	tolerance ring STAR BN 20x8	622409
3	2301-7019	1	ball bearing 6200-LLU	622409
4	3301-3782	1	shaft ball bearing	622409
	4301-3383		ball bearing complete (pos. nr. 3+4)	622409
5	3401-3778	1	felt socket	622409
6	3301-4467	1	clamping shaft	622409
7	3801-3149	2	rubber buffer	622409
8	2233-5006	2	glacier bus	
9	3701-3479	1	sliding support	628261
	4301-3847		sliding support with bearings (pos.nr 8+9)	628261
	3701-3489	1	sliding support for Belgium	628261
10	3301-4534	1	retaining sleeve	628261
11	2201-9102	1	stop buffer 068-0100 Skiffy	622409
12	4301-3385	1	adjusting pivot	622409
13	3201-6043	1	nut M10 SLW14	622409
14	3401-4462	1	rended flat spring	622409
15	2101-9115	2	washer 4,3 DIN125 RVS A2	622409
16	2101-2080	6	screw M4x8 DIN85 RVS A2	622409
17	3501-3762	1	blocking bar	622409
18	3201-3355	1	torsion spring	635537
19	3301-4457	1	fork shaft	622409
20	3301-4460	1	operating rod fork	628261
21	4301-3840	1	fork complete	628261
23	2101-9117	1	washer J6,4 DIN6798	622409
24	2101-7048	1	nut M6 DIN934 E3E	622409
25	3401-4228	1	closing plate	622409
26	2201-4841	2	circlip dia.4 DIN6799 RVS	622409
27	2101-8049	3	washer 5,3 DIN433 E3E	622409
28	3201-3351	1	helical spring	622409
29	3401-4461	1	locking clamp	622409
30	3301-4459	1	operating pivot	622409
31	4301-3792	1	moving plate	622409
32	2101-7068	1	nut M5 DIN934 RVS A2	622409
33	3301-4486	1	blocking pin	622409
34	2101-3253	2	hex. socket screw M5x8 DIN916 RVS A2	622409
35	2101-1010	2	screw M4x6 DIN84 4,8 A3A	622409
36	2101-9115	2	washer A4,3 DIN6798 A3A	622409
37	2101-8551	1	washer A5,3 DIN9021 RVS A2	622409
38	2101-8018	2	washer	
39	2101-8020	1	washer	
40	4601-3923	1	Blocking bar group	
41	4601-3924	1	Safety slide group	

Verbas B.V. – DEKO Holland



Exploded view: Sharpener

Concern code rev: 4601 - 1011 - 00



Verbas B.V. – DEKO Holland



Exploded view: Sharpener

Concern code rev: 4601 - 1011 - 03

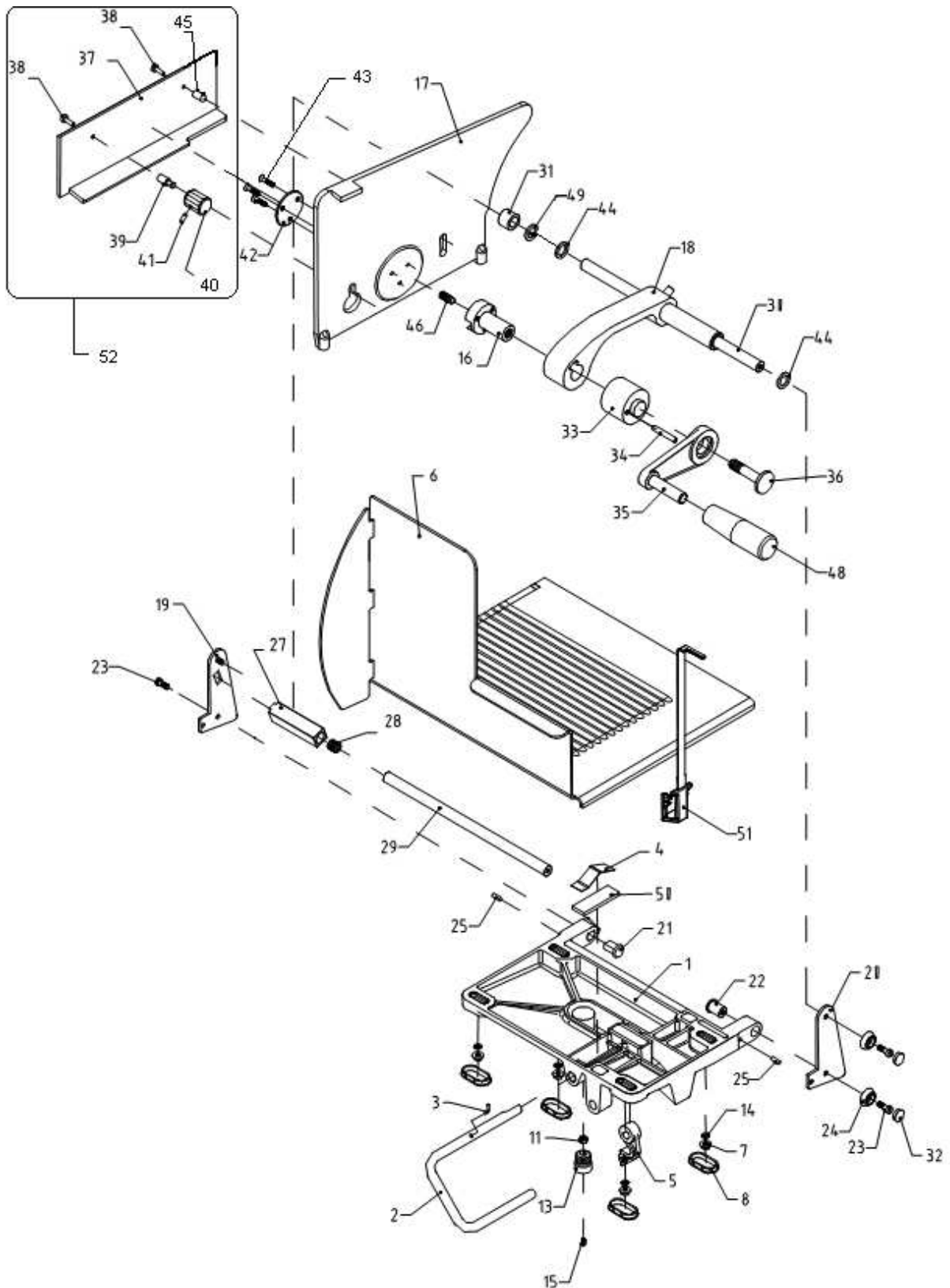
Pos	Part no.	Qty	Description	As of Serialno
1	4301-3403	1	Grip with Deko name plate	622409
2	3701-3481	1	Sharpener cover	628261
4	2101-2065	2	Pan head screw M4x12 DIN85	622409
5	2201-4837	1	Circlip 7 DIN6799 A3A	622409
6	3401-3805	1	Bracket	622409
7	2201-4805	2	Circlip 5 DIN6799 A3A	622409
8	3301-3812	2	Collar	622409
9	2301-7020	18	Steel ball 1/8"	622409
10	3301-3810	1	Spindle bearing	622409
11	3201-3270	1	Spring	622409
12	2101-4035	1	Counter sunk screw M4x8 DIN963 RVS	622409
13	3301-3813	1	Link screw	622409
14	3401-4241	1	Link	622409
15	2201-4842	1	Circlip 3,2 DIN6799 RVS	622409
16	4601-3761	1	Sharpener complete, pos. nrs. 5 up to and 20 and 25 up and 37	622409
17	4401-3124	1	Sharpener lever	622409
18	2101-8051	1	Washer A4,3 DIN125	622409
19	2101-2108	1	Pan head screw M4x6 DIN85 RVS	622409
20	3201-3275	1	Torsion spring	622409
21	3201-6095	1	Felt washer	622409
22	3301-4246	1	Knob	632811
23	2201-3016	2	Grooved pin 4x16 DIN1474 E3E	622409
24	2201-0028	1	Cylinder pin 3m6x6 DIN7 E3E	622409
25	2101-2082	1	Pan head screw M5x10 DIN85 RVS	622409
26	2101-9218	1	Disc spring 12x5,2x0,8 DIN2093	622409
27	3401-3802	1	Adjusting plate	622409
28	4301-3405	1	Deburring stone with shaft	622409
29	3701-3212	1	Sharpener frame	622409
30	2101-2080	2	Pan head screw M4x8 DIN85 RVS	622409
31	3201-3272	1	Flat spring	622409
32	4301-3404	1	Sharpening stone with shaft	622409
33	3301-3810	1	Spindle bearing	622409
34	2101-7068	1	RVS nut	622409
35	2101-3175	1	Screw M5x25 DIN551 E3E	622409
36	3201-3271	1	Torsion spring	622409
37	3301-3816	1	Sharpener lever spindle	622409
38	4601-3716	1	Sharpener assembly, pos.nrs: 16 and 1 up to and 4,21 up to and 2	622409

Verbas B.V. – DEKO Holland



Exploded view: Meat table

Concern code rev: 4601 - 0174 - 00



Verbas B.V. – DEKO Holland



Exploded view: Meat table

Concern code rev: 4601 - 0174 - 00

Pos	Part no.	Qty	Description	As of Serialno
1	4301-3775	1	Frame meat table	622409
2	3301-4443	1	Table handle	622409
3	3301-4474	1	Pin	622409
4	3401-4473	1	Leaf spring	622409
5	3701-3498	1	Latching ratchet	635537
6	4301-3886	1	Product table Stainless Steel Guard	635772
	4301-3887	1	Teflon product table	635772
7	2101-7068	4	M5 DIN934 RVS A2	622409
8	3801-3431	4	Cover cap	622409
11	2101-7052	1	M4 DIN934 RVS A2	622409
13	3801-3362	1	Adjusting pivot	622409
14	3201-6084	4	Washer 5.3x12x1.5 RVS	622409
15	2101-3252	1	M4x16 DIN913 45H	622409
16	4301-3866	1	Shaft pusher guard	631256
17	4301-3824	1	Pusher plate	631256
18	4301-3825	1	Pusher arm compleet	629029
19	4301-3828	1	Side plate left	629029
20	4301-3829	1	Side plate right	629029
21	3301-4511	1	Decorative nut	629029
22	3301-4510	1	Decorative nut	629029
23	2101-2062	3	M5x12 DIN85 RVS A2	629029
24	3301-4508	2	Decorative washer	629029
25	2133-0403	2	4x8 DIN1474 RVS	629029
27	3301-4507	1	Blocking square	629029
28	VV-0027	1	Spring	629029
29	3301-4513	1	Support shaft	629029
30	3301-4514	1	Shaft	629029
31	3301-4509	1	Spacer	629029
32	3801-3326	2	Cap	629029
33	3301-4516	1	Extension bush	629029
34	2201-0082	1	5M6x32 DIN6325 RVS	629029
35	3801-3372	1	Connection arm	629029
36	3301-4517	1	Bolt	629029
37	See 52	1	Pyramid plate with pyramids on side	631256
		1	Pyramid plate with pyramids on bottom and side	631256
		1	Stainless steel plate with pins	631256
38	3301-4518	2	Wire tack	631256
39	3301-4548	1	Wire tack	631256

Verbas B.V. – DEKO Holland



Exploded view: Meat table

Concern code rev: 4601 - 0174 - 00

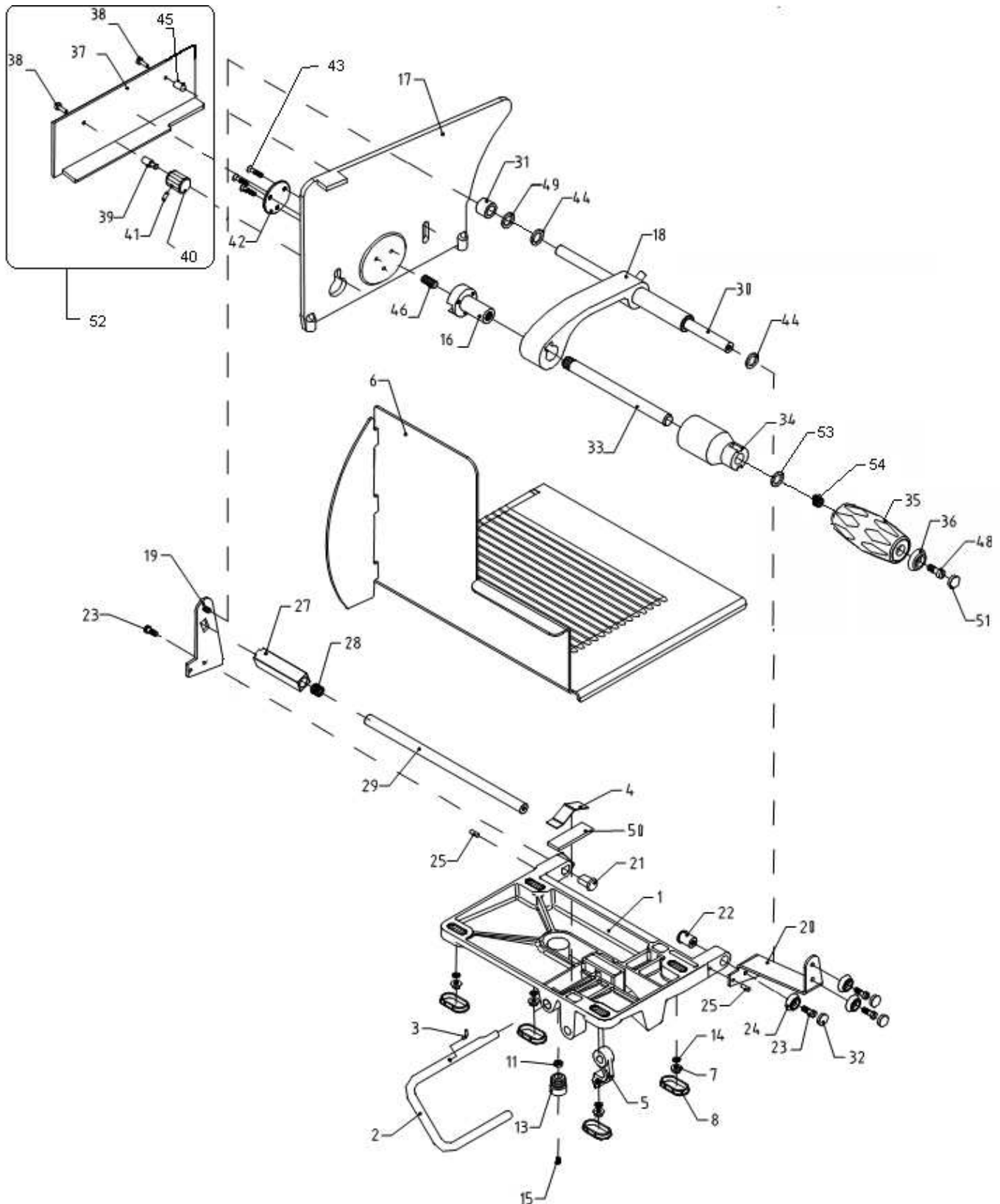
Pos	Part no.	Qty	Description	As of serialno
40	3201-6123	1	Knop	631256
41	2101-3113	1	M4 x 6 DIN916 RVS A2	631256
42	3801-3373	1	Mounting ring	631256
43	2101-4050	3	M4x16 DIN963 RVS A2	629029
44	3201-6104	2	Rubber ring	629029
45	3301-4566	1	Centre pin	631256
46	2101-3251	1	M10x16 DIN916 RVS	629029
48	2801-0021	1	Pusher handle	629029
49	3801-3327	1	Ring	629029
50	3401-4488	1	Filling plate	625229
51	3801-3400	1	Product fence, for Holland standard, for other countries optional	630832
52a	4601-3857	1	Pyramide plate with pyramids on side including knob construction pos. nr: 37,38,39,40,41 and 45	631256
52b	4601-3867	1	Pyramide plate with pyramids on side and bottom including knob construction pos. nr: 37,38,39,40,41 and 45	631256
52c	4601-3771	1	Stainless steel plate with pins group including knob construction pos. nr: 37,38,39,40,41 and 45	
	4301-3852	1	Frame meatable with table handle pos.nrs: 1,2,3,5,11,13 and 25.	

Verbas B.V. – DEKO Holland



Exploded view: Meat table USA (standard)

Concern code rev: 4601 - 0176 - 00



Verbas B.V. – DEKO Holland



Exploded view: Meat table USA (standard)

Concern code rev: 4601 - 0176 - 00

Pos	Part no.	Qty	Description	As of serialno
1	4301-3775	1	Frame meat table	630019
2	3301-4443	1	Table handle	630019
3	3301-4474	1	Pin	630019
4	3401-4473	1	Leaf spring	630019
5	3701-3498	1	Latching ratchet	635537
6	4301-3886	1	Product table Stainless Steel Guard	635772
	4301-3887	1	Teflon product table	635772
7	2101-7068	4	M5 DIN934 RVS A2	630019
8	3801-3431	4	Cover cap	630019
11	2101-7052	1	M4 DIN934 RVS A2	630019
13	3801-3362	1	Adjusting pivot	630019
14	3201-6084	4	Washer 5.3x12x1.5 RVS	630019
15	2101-3252	1	M4x16 DIN913 45H	630019
16	4301-3866	1	Shaft pusher guard	631256
17	4301-3824	1	Pusher plate	631256
18	4301-3825	1	Pusher arm compleet	630019
19	4301-3828	1	Side plate left	630019
20	3401-4551	1	Side plate right special for USA	633163
21	3301-4511	1	Decorative nut	630019
22	3301-4510	1	Decorative nut	630019
23	2101-2062	4	M5x12 DIN85 RVS A2	633163
24	3301-4508	3	Decorative washer	633163
25	2133-0403	2	4x8 DIN1474 RVS	630019
27	3301-4507	1	Blocking square	630019
28	VV-0027	1	Spring	630019
29	3301-4569	1	Support shaft special for USA	633163
30	3301-4570	1	Shaft special for USA	633163
31	3301-4509	1	Spacer	630019
32	3801-3326	3	Cap	633163
33	3301-4473	1	Shaft pusher handle	633173
34	3301-4472	1	Extension piece	631558
35	3801-3182	1	Pusher handle (standard)	631558
36	3301-4325	1	Ring	631558
37	See 52	1	Pyramid plate with pyramids on side	631256
		1	Pyramid plate with pyramids on bottom and side	631256
		1	Stainless steel plate with pins	
38	3301-4518	2	Wire tack	631256
39	3301-4548	1	Wire tack	631256
40	3201-6123	1	Knob	631256
41	2101-3113	1	M4x6 DIN916 RVS A2	631256

Verbas B.V. – DEKO Holland



Exploded view: Meat table USA (standard)

Concern code rev: 4601 - 0176 - 00

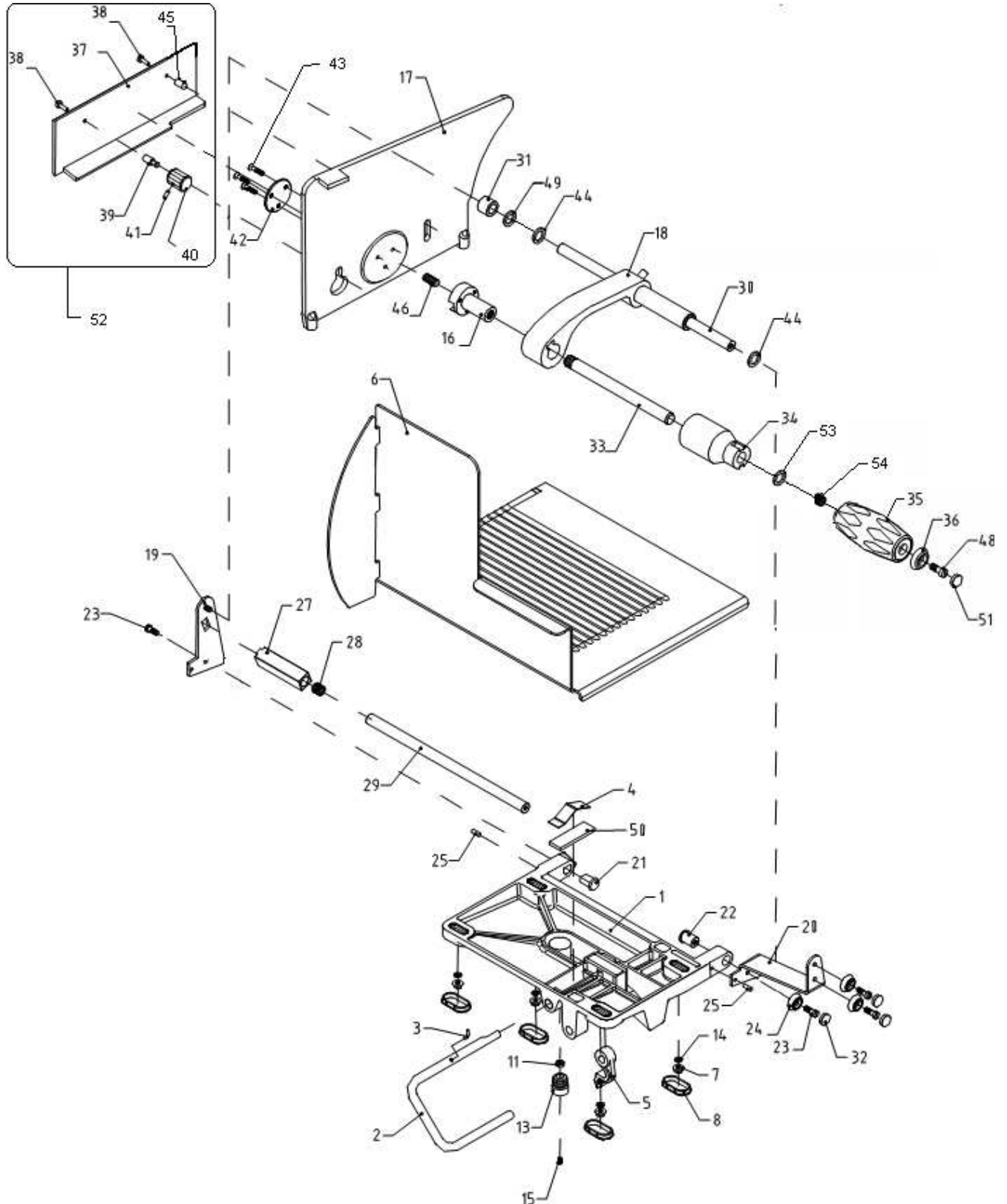
Pos	Part no.	Qty	Description	As of serialno
42	3801-3373	1	Mounting ring	631256
43	2101-4050	3	M4x16 DIN963 RVS A2	630019
44	3201-6104	2	Rubber ring	630019
45	3301-4566	1	Centre pin	631256
46	2101-3251	1	M10x16 DIN916 RVS	630019
48	2101-4038	1	Screw M6x16 DIN964 4.8 Chromium	631558
49	3801-3327	1	Ring	630019
50	3401-4488	1	Filling plate	630019
51	3801-3298	1	Closing cap	631558
53	2101-8100	1	Washer	
54	3201-3263	1	Spring	
52a	4601-3857	1	Pyramide plate with pyramids on side including knob construction pos. nr: 37,38,39,40,41 and 45	631256
52b	4601-3867	1	Pyramide plate with pyramids on side and bottom including knob construction pos. nr: 37,38,39,40,41 and 45	631256
52c	4601-3771	1	Stainless steel plate with pins group including knob construction pos. nr: 37,38,39,40,41 and 45	
	1801-0020	2.2ml	Sikaflex kit between table and safety guard	630019
	4301-3852	1	Frame meat table with table handle pos.nrs: 1,2,3 and 5.	

Verbas B.V. – DEKO Holland



Exploded view: Meat table USA (B version)

Concern code rev: 4601 - 0185 - 00



Verbas B.V. – DEKO Holland



Exploded view: Meat table USA (B version)

Concern code rev: 4601 - 0185 - 00

Pos	Part no.	Qty	Description	As of serialno
1	4301-3775	1	Frame meat table	630019
2	3301-4443	1	Table handle	630019
3	3301-4474	1	Pin	630019
4	3401-4473	1	Leaf spring	630019
5	3701-3498	1	Latching ratchet	635537
6	4301-3889	1	Product table special for USA (B version) - - Stainless Steel Guard	635772
7	2101-7068	4	M5 DIN934 RVS A2	630019
8	3801-3431	4	Cover cap	630019
11	2101-7052	1	M4 DIN934 RVS A2	630019
13	3801-3362	1	Adjusting pivot	630019
14	3201-6084	4	Washer 5.3x12x1.5 RVS	630019
15	2101-3252	1	M4x16 DIN913 45H	630019
16	4301-3866	1	Shaft pusher guard	631256
17	4301-3868	1	Pusher plate special for USA (B version)	632521
18	4301-3825	1	Pusher arm compleet	630019
19	4301-3828	1	Side plate left	630019
20	3401-4551	1	Side plate right special for USA	633163
21	3301-4511	1	Decorative nut	630019
22	3301-4510	1	Decorative nut	630019
23	2101-2062	4	M5x12 DIN85 RVS A2	633163
24	3301-4508	3	Decorative washer	633163
25	2133-0403	2	4x8 DIN1474 RVS	630019
27	3301-4507	1	Blocking square	630019
28	VV-0027	1	Spring	630019
29	3301-4569	1	Support shaft special for USA	633163
30	3301-4570	1	Shaft special for USA	633163
31	3301-4509	1	Spacer	630019
32	3801-3326	3	Cap	633163
33	3301-4473	1	Shaft pusher handle	633173
34	3301-4472	1	Extension piece	631558
35	3801-3182	1	Pusher handle (standard)	631558
36	3301-4325	1	Ring	631558
37	See 52	1	Pyramid plate with pyramids on side	631256
		1	Pyramid plate with pyramids on bottom and side	631256
		1	Stainless steel plate with pins	
38	3301-4518	2	Wire tack	631256
39	3301-4548	1	Wire tack	631256
40	3201-6123	1	Knob	631256
41	2101-3113	1	M4x6 DIN916 RVS A2	631256

Verbas B.V. – DEKO Holland



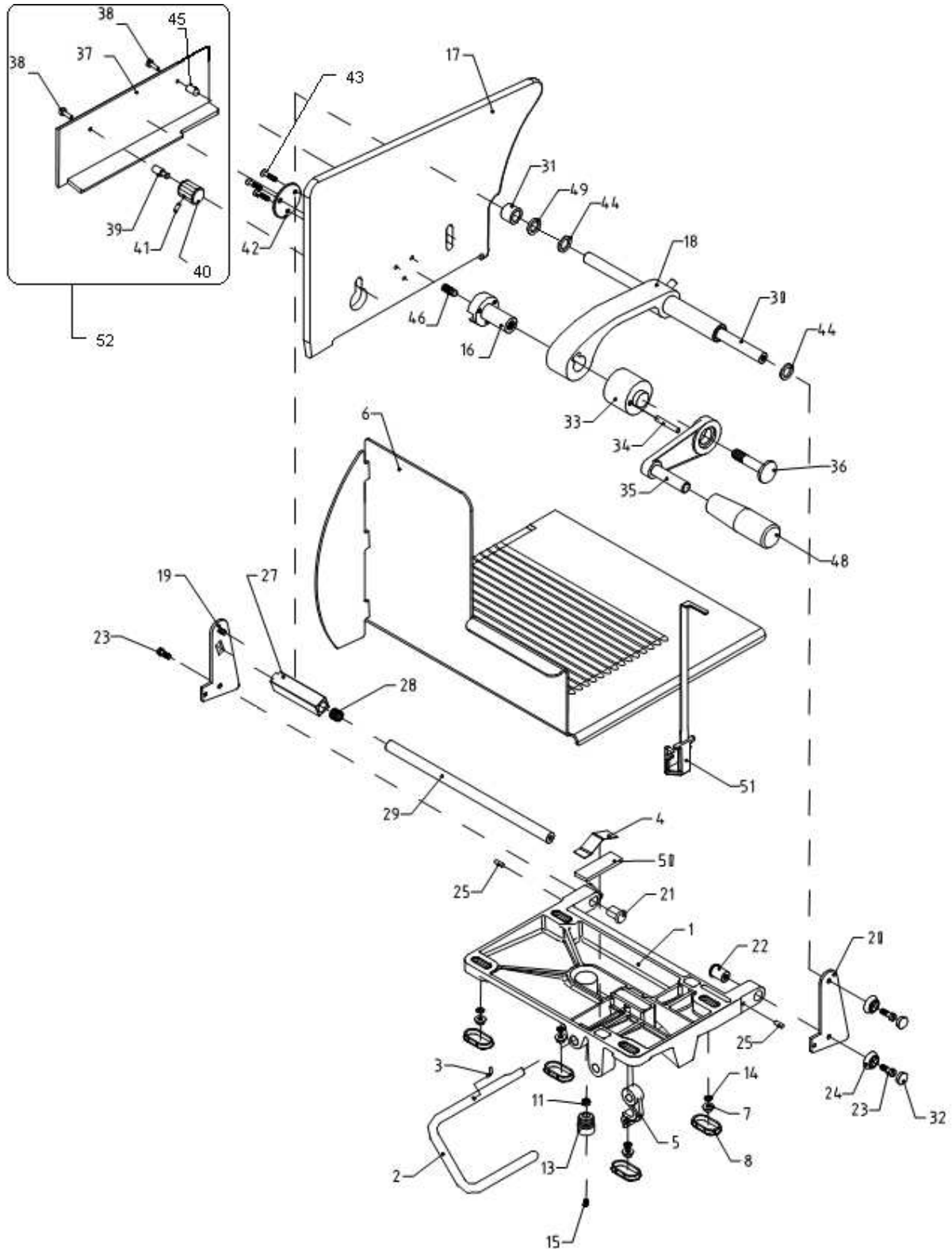
Exploded view: Meat table USA (B version)
Concern code rev: 4601 - 0185 - 00

Pos	Part no.	Qty	Description	As of serialNo
42	3801-3373	1	Mounting ring	631256
43	2101-4050	3	M4x16 DIN963 RVS A2	630019
44	3201-6104	2	Rubber ring	630019
45	3301-4566	1	Centre pin	631256
46	2101-3251	1	M10x16 DIN916 RVS	630019
48	2101-4038	1	Screw M6x16 DIN964 4.8 Chromium	631558
49	3801-3327	1	Ring	630019
50	3401-4488	1	Filling plate	630019
51	3801-3298	1	Closing cap	631558
53	2101-8100	1	Washer	
54	3201-3263	1	Spring	
52a	4601-3857	1	Pyramide plate with pyramids on side including knob construction pos. nr: 37,38,39,40,41 and 45	631256
52b	4601-3867	1	Pyramide plate with pyramids on side and bottom including knob construction pos. nr: 37,38,39,40,41 and 45	631256
52c	4601-3771	1	Stainless steel plate with pins group including knob construction pos. nr: 37,38,39,40,41 and 45	
	1801-0020	2.2ml	Sikaflex kit between table and safety guard	630019
	4301-3852	1	Frame meat table with table handle pos.nrs: 1,2,3 and 5.	

Verbas B.V. – DEKO Holland



Exploded view: Meat table Belgium
Concern code rev: 4601 - 0175 - 00



Verbas B.V. – DEKO Holland



Exploded view: Meat table Belgium

Concern code rev: 4601 - 0175 - 00

Pos	Part no.	Qty	Description	As of serialno
1	4301-3775	1	Frame meat table	622409
2	3301-4443	1	Table handle	622409
3	3301-4474	1	Pin	622409
4	3401-4473	1	Leaf spring	622409
5	3701-3498	1	Latching ratchet	635537
6	4301-3889	1	Product table special for Belgium - - Stainless Steel Guard	635772
7	2101-7068	4	M5 DIN934 RVS A2	622409
8	3801-3431	4	Cover cap	622409
11	2101-7052	1	M4 DIN934 RVS A2	622409
13	3801-3362	1	Adjusting pivot	622409
14	3201-6084	4	Washer 5.3x12x1.5 RVS	622409
15	2101-3252	1	M4x16 DIN913 45H	622409
16	4301-3866	1	Shaft pusher guard	631256
17	4301-3868	1	Pusher plate special for Belgium	632521
18	4301-3825	1	Pusher arm compleet	629029
19	4301-3828	1	Side plate left	629029
20	4301-3829	1	Side plate right	629029
21	3301-4511	1	Decorative nut	629029
22	3301-4510	1	Decorative nut	629029
23	2101-2062	3	M5x12 DIN85 RVS A2	629029
24	3301-4508	2	Decorative washer	629029
25	2133-0403	2	4x8 DIN1474 RVS	629029
27	3301-4507	1	Blocking square	629029
28	VV-0027	1	Spring	629029
29	3301-4513	1	Support shaft	629029
30	3301-4514	1	Shaft	629029
31	3301-4509	1	Spacer	629029
32	3801-3326	2	Cap	629029
33	3301-4516	1	Extension bush	629029
34	2201-0082	1	5M6x32 DIN6325 RVS	629029
35	3801-3372	1	Connection arm	629029
36	3301-4517	1	Bolt	629029
37	See 52	1	Pyramid plate with pyramids on side	631256
		1	Pyramid plate with pyramids on bottom and side	631256
		1	Stainless steel plate with pins	
38	3301-4518	2	Wire tack	631256
39	3301-4578	1	Wire tack special for Belgium	632521
40	3201-6123	1	Knob	631256
41	2101-3113	1	M4x6 DIN916 RVS A2	631256

Verbas B.V. – DEKO Holland



Exploded view: Meat table Belgium

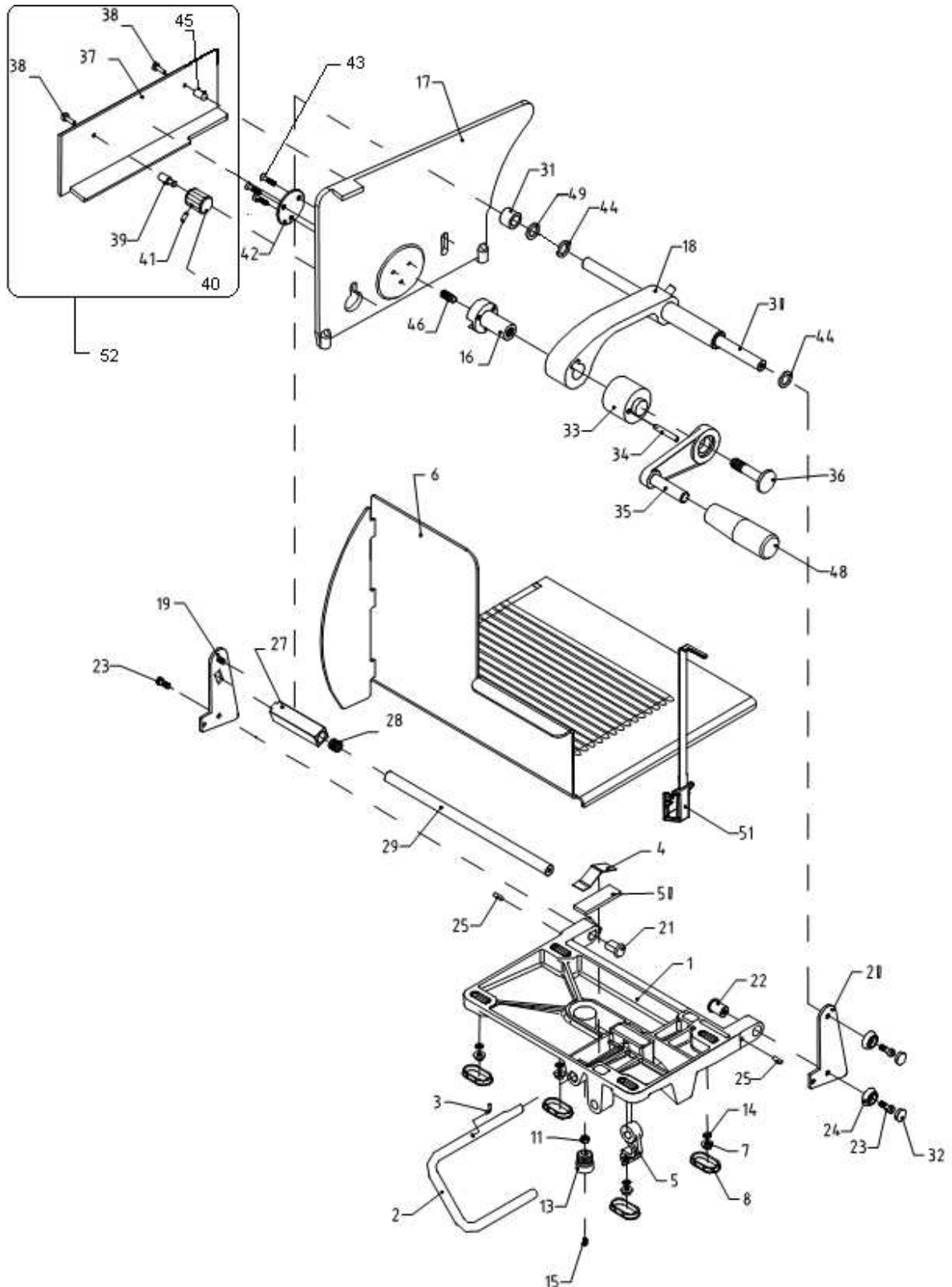
Concern code rev: 4601 - 0175 - 00

Pos	Part no.	Qty	Description	As of serialno
42	3801-3373	1	Mounting ring	631256
43	2101-4050	3	M4x16 DIN963 RVS A2	629029
44	3201-6104	2	Rubber ring	629029
45	3301-4566	1	Centre pin	631256
46	2101-3251	1	M10x16 DIN916 RVS	629029
48	2801-0021	1	Pusher handle	629029
49	3801-3327	1	Ring	629029
50	3401-4488	1	Filling plate	625229
51	3801-3400	1	Product fence	630832
52a	4601-3857	1	Pyramide plate with pyramids on side including knob construction pos. nr: 37,38,39,40,41 and 45	631256
52b	4601-3867	1	Pyramide plate with pyramids on side and bottom including knob construction pos. nr: 37,38,39,40,41 and 45	631256
52c	4601-3771	1	Stainless steel plate with pins group including knob construction pos. nr: 37,38,39,40,41 and 45	
			Sikaflex kit between table and safety guard	
	1801-0020	2.2ml	Frame meat table with table handle pos.nrs: 1,2,3 and 5.	628561
	4301-3852	1		

Verbas B.V. – DEKO Holland



Exploded view: Meat table Germany
Concern code rev: 4601 - 0179 - 00



Verbas B.V. – DEKO Holland



Exploded view: Meat table Germany

Concern code rev: 4601 - 0179 - 00

Pos	Part no.	Qty	Description	As of serialNo
1	4301-3775	1	Frame meat table	622409
2	3301-4443	1	Table handle	622409
3	3301-4474	1	Pin	622409
4	3401-4473	1	Leaf spring	622409
5	3701-3498	1	Latching ratchet	635537
6	4301-3886	1	Product table Stainless Steel Guard	635772
	4301-3887	1	Teflon product table	635772
7	2101-7068	4	M5 DIN934 RVS A2	622409
8	3801-3431	4	Cover cap	622409
11	2101-7052	1	M4 DIN934 RVS A2	622409
13	3801-3362	1	Adjusting pivot	622409
14	3201-6084	4	Washer 5.3x12x1.5 RVS	622409
15	2101-3252	1	M4x16 DIN913 45H	622409
16	4301-3866	1	Shaft pusher guard	631256
17	4301-3824	1	Pusher plate	631256
18	4301-3825	1	Pusher arm compleet	625934
19	4301-3828	1	Side plate left	625934
20	4301-3829	1	Side plate right	625934
21	3301-4511	1	Decorative nut	625934
22	3301-4510	1	Decorative nut	625934
23	2101-2062	3	M5x12 DIN85 RVS A2	625934
24	3301-4508	2	Decorative washer	625934
25	2133-0403	2	4x8 DIN1474 RVS	625934
27	3301-4507	1	Blocking square	625934
28	VV-0027	1	Spring	625934
29	3301-4513	1	Support shaft	625934
30	3301-4514	1	Shaft	625934
31	3301-4509	1	Spacer	625934
32	3801-3326	2	Cap	625934
33	3301-4516	1	Extension bush	625934
34	2201-0082	1	5M6x32 DIN6325 RVS	625934
35	3801-3372	1	Connection arm	625934
36	3301-4517	1	Bolt	625934
37	See 52	1	Pyramid plate with pyramids on side	631256
		1	Pyramid plate with pyramids on bottom and side	631256
		1	Stainless steel plate with pins	
38	3301-4518	2	Wire tack	631256
39	3301-4548	1	Wire tack	631256
40	3201-6123	1	Knob	631256

Verbas B.V. – DEKO Holland



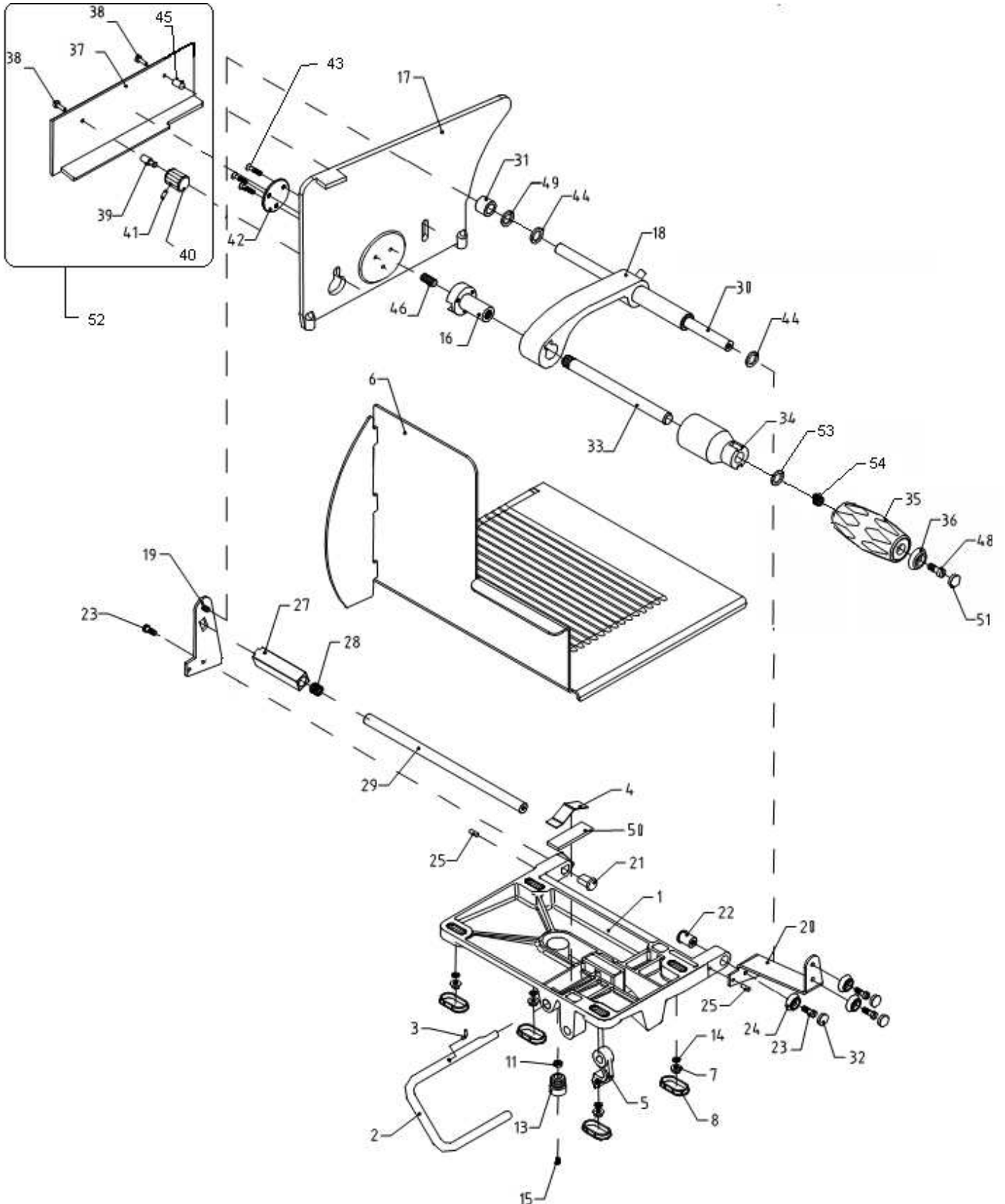
Exploded view: Meat table Germany
Concern code rev: 4601 - 0179 - 00

Pos	Part no.	Qty	Description	As of serialno
41	2101-3113	1	M4x6 DIN916 RVS A2	631256
42	3801-3373	1	Mounting ring	631256
43	2101-4050	3	M4x16 DIN963 RVS A2	625934
44	3201-6104	2	Rubber ring	625934
45	3301-4566	1	Centre pin	631256
46	2101-3251	1	M10x16 DIN916 RVS	625934
48	2801-0021	1	Pusher handle	625934
49	3801-3327	1	Ring	625934
50	3401-4488	1	Filling plate	625229
	1801-0020	2.2ml	Sikaflex kit between table and safety guard	628561
51	3801-3400	1	Product fence (optional)	630832
	4301-3852	1	Frame meat table with table handle pos.nrs: 1,2,3, 5, 11, 13 and 25	--
52a	4601-3857	1	Pyramide plate with pyramids on side including knob construction pos. nr: 37,38,39,40,41 and 45	631256
52b	4601-3867	1	Pyramide plate with pyramids on side and bottom including knob construction pos. nr: 37,38,39,40,41 and 45	631256
52c	4601-3771	1	Stainless steel plate with pins group including knob construction pos. nr: 37,38,39,40,41 and 45	

Verbas B.V. – DEKO Holland



Exploded view: Meat table BA
Concern code rev: 4601 - 0197



Verbas B.V. – DEKO Holland



Exploded view: Meat table BA
Concern code rev: 4601 - 0197

Pos	Part no	Qty	Description	As of serialNo
1	4301-3775	1	Frame meat table	622409
2	3301-4443	1	Table handle	622409
3	3301-4474	1	Pin	622409
4	3401-4473	1	Leaf spring	622409
5	3701-3498	1	Latching ratchet	635537
6	4301-3889	1	Product table special for Belgium - - Stainless Steel Guard	635772
7	2101-7068	4	M5 DIN934 RVS A2	622409
8	3801-3431	4	Cover cap	622409
11	2101-7052	1	M4 DIN934 RVS A2	622409
13	3801-3362	1	Adjusting pivot	622409
14	3201-6084	4	Washer 5.3x12x1.5 RVS	622409
15	2101-3252	1	M4x16 DIN913 45H	622409
16	4301-3866	1	Shaft pusher guard	631256
17	4301-3868	1	Pusher plate special for Belgium	632521
18	4301-3825	1	Pusher arm compleet	629029
19	4301-3828	1	Side plate left	629029
20	4301-3829	1	Side plate right	629029
21	3301-4511	1	Decorative nut	629029
22	3301-4510	1	Decorative nut	629029
23	2101-2062	3	M5x12 DIN85 RVS A2	629029
24	3301-4508	2	Decorative washer	629029
25	2133-0403	2	4x8 DIN1474 RVS	629029
27	3301-4507	1	Blocking square	629029
28	VV-0027	1	Spring	629029
29	3301-4513	1	Support shaft	629029
30	3301-4514	1	Shaft	629029
31	3301-4509	1	Spacer	629029
32	3801-3326	2	Cap	629029
33	3301-4473	1	Shaft pusher handle	633173
34	3301-4472	1	Extension piece	631558
35	3801-3182	1	Pusher handle (standard)	631558
36	3301-4325	1	Ring	631558
37	See 52	1	Pyramid plate with pyramids on side	631256
		1	Pyramid plate with pyramids on bottom and side	631256
		1	Stainless steel plate with pins	
38	3301-4518	2	Wire tack	631256
39	3301-4578	1	Wire tack special for Belgium	632521
40	3201-6123	1	Knob	631256
41	2101-3113	1	M4x6 DIN916 RVS A2	631256

Verbas B.V. – DEKO Holland



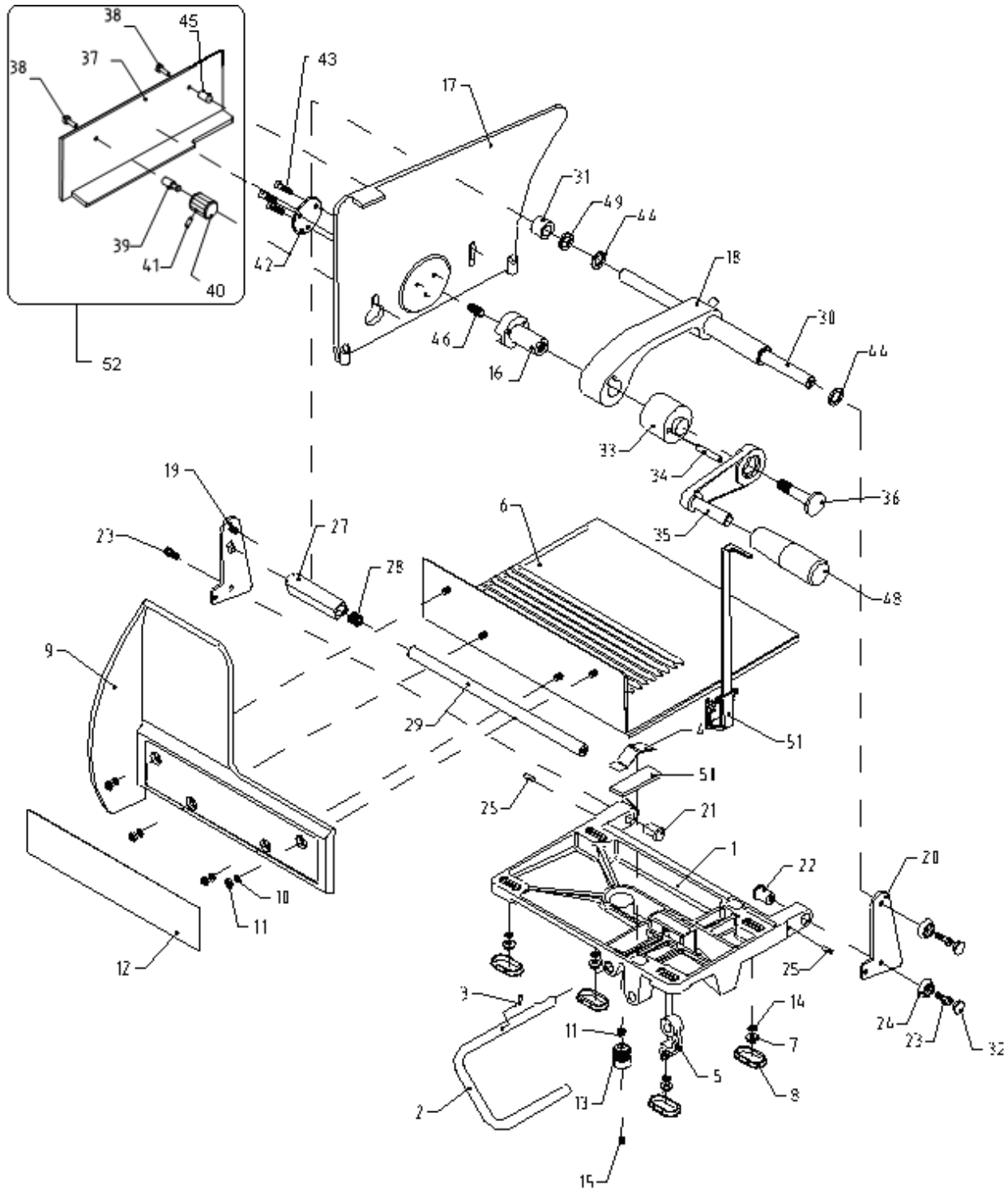
Exploded view: Meat table BA
Concern code rev: 4601 - 0197

Pos	Part no.	Qty	Description	As of serialno
42	3801-3373	1	Mounting ring	631256
43	2101-4050	3	M4x16 DIN963 RVS A2	629029
44	3201-6104	2	Rubber ring	629029
45	3301-4566	1	Centre pin	631256
46	2101-3251	1	M10x16 DIN916 RVS	629029
48	2101-4038	1	Screw M6x16 DIN964 4.8 Chromium	631558
49	3801-3327	1	Ring	629029
50	3401-4488	1	Filling plate	625229
51	3801-3298	1	Closing cap	631558
53	2101-8100	1	Washer	
54	3201-3263	1	Spring	628561
	1801-0020	2.2ml	Sikaflex kit between table and safety guard	
	4301-3852	1	Frame meat table with table handle pos.nrs: 1,2,3 and 5.	---
52a	4601-3857	1	Pyramide plate with pyramids on side including knob construction pos. nr: 37,38,39,40,41 and 45	631256
52b	4601-3867	1	Pyramide plate with pyramids on side and bottom including knob construction pos. nr: 37,38,39,40,41 and 45	631256
52c	4601-3771	1	Stainless steel plate with pins group including knob construction pos. nr: 37,38,39,40,41 and 45	

Verbas B.V. – DEKO Holland



Exploded view: Meat table old version
Concern code rev: 4601 - 0130 - 02



Verbas B.V. – DEKO Holland



Exploded view: Meat table old version

Concern code rev: 4601 - 0130 - 02

Pos	Part no.	Qty	Description	As of serialno
1	4301-3775	1	Frame meat table	622409
2	3301-4443	1	Table handle	622409
3	3301-4474	1	Pin	622409
4	3401-4473	1	Leaf spring	622409
5	3701-3498	1	Latching ratchet	635537
6	4301-3776	1	Product table	630832 with returned end
	4301-3817	1	Teflon product table	630832 with returned end
7	2101-7068	4	M5 DIN934 RVS A2	622409
8	3801-3194	4	Cover cap	622409
9	3801-3392	1	Safety guard	628261
10	2101-8067	4	B13 DIN125 St A3A	622409
11	2101-7052	5	M4 DIN934 RVS A2	622409
12	3101-4011	1	Cover plate	622409
13	3801-3362	1	Adjusting pivot	622409
14	3201-6084	4	Washer 5.3x12x1.5 RVS	622409
15	2101-3252	1	M4x16 DIN913 45H	622409
16	4301-3866	1	Shaft pusher guard	631256
17	4301-3824	1	Pusher plate	631256
18	4301-3825	1	Pusher arm compleet	629029
19	4301-3828	1	Side plate left	629029
20	4301-3829	1	Side plate right	629029
21	3301-4511	1	Decorative nut	629029
22	3301-4510	1	Decorative nut	629029
23	2101-2062	3	M5x12 DIN85 RVS A2	629029
24	3301-4508	2	Decorative washer	629029
25	2133-0403	2	4x8 DIN1474 RVS	629029
27	3301-4507	1	Blocking square	629029
28	VV-0027	1	Spring	629029
29	3301-4513	1	Support shaft	629029
30	3301-4514	1	Shaft	629029
31	3301-4509	1	Spacer	629029
32	3801-3326	2	Cap	629029
33	3301-4516	1	Extension bush	629029
34	2201-0082	1	5M6x32 DIN6325 RVS	629029
35	3801-3372	1	Connection arm	629029
36	3301-4517	1	Bolt	629029
37	See 52	1	Pyramid plate with pyramids on side	631256
		1	Pyramid plate with pyramids on bottom and side	631256
		1	Stainless steel plate with pins	
38	3301-4518	2	Wire tack	631256
39	3301-4548	1	Wire tack	631256
40	3201-6123	1	Knob	631256

Verbas B.V. – DEKO Holland



Exploded view: Meat table old version

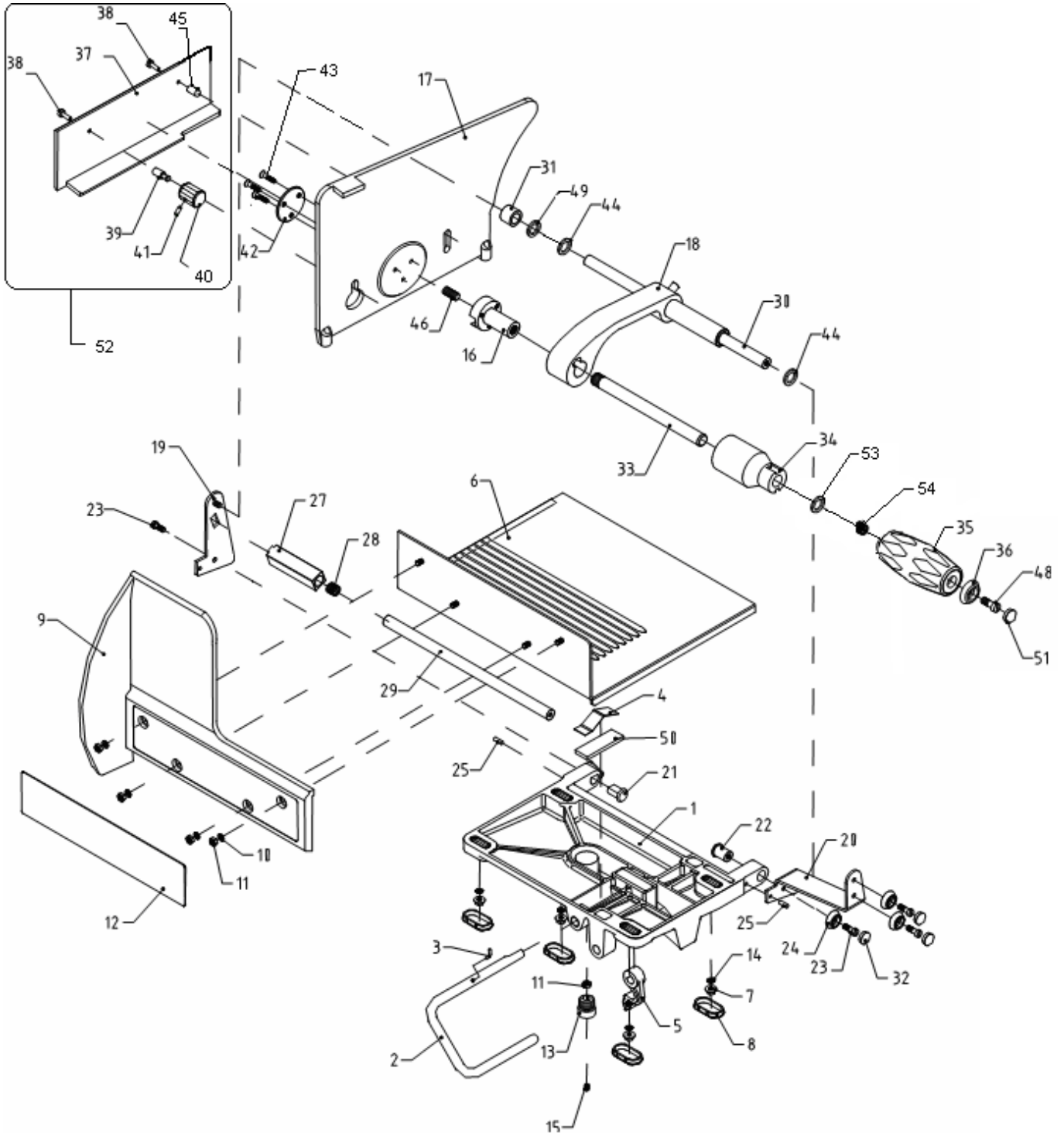
Concern code rev: 4601 - 0130 - 02

Pos	Part no.	Qty	Description	As of serialno
42	3801-3373	1	Mounting ring	631256
43	2101-4050	3	M4x16 DIN963 RVS A2	629029
44	3201-6104	2	Rubber ring	629029
45	3301-4566	1	Centre pin	631256
46	2101-3251	1	M10x16 DIN916 RVS	629029
48	2801-0021	1	Pusher handle	629029
49	3801-3327	1	Ring	629029
50	3401-4488	1	Filling plate	625229
51	3801-3400	1	Product fence, for Holland standard, for other countries optional	630832
	1801-0020	2.2ml	Sikaflex kit between table and safety guard	628561
	4301-3852	1	Frame meat table with table handle pos.nrs: 1,2,3,5,11,13 and 25.	- -
52a	4601-3857	1	Pyramide plate with pyramids on side including knob construction pos. nr: 37,38,39,40,41 and 45	631256
52b	4601-3867	1	Pyramide plate with pyramids on side and bottom including knob construction pos. nr: 37,38,39,40,41 and 45	631256
52c	4601-3771	1	Stainless steel plate with pins group including knob construction pos. nr: 37,38,39,40,41 and 45	

Verbas B.V. – DEKO Holland



Exploded view: Meat table USA old version
Concern code rev: 4601 - 0133 - 03



Verbas B.V. – DEKO Holland



Exploded view: Meat table USA old version

Concern code rev: 4601 - 0133 - 03

Pos	Part no.	Qty	Description	As of serialno
1	4301-3775	1	Frame meat table	630019
2	3301-4443	1	Table handle	630019
3	3301-4474	1	Pin	630019
4	3401-4473	1	Leaf spring	630019
5	3701-3498	1	Latching ratchet	635537
6	4301-3776	1	Product table	630832 with returned end
	4301-3817	1	Teflon product table	630832 with returned end
7	2101-7068	4	M5 DIN934 RVS A2	630019
8	3801-3194	4	Cover cap	630019
9	3801-3392	1	Safety guard	630019
10	2101-8067	4	B13 DIN125 St A3A	630019
11	2101-7052	5	M4 DIN934 RVS A2	630019
12	3101-4011	1	Cover plate	630019
13	3801-3362	1	Adjusting pivot	630019
14	3201-6084	4	Washer 5.3x12x1.5 RVS	630019
15	2101-3252	1	M4x16 DIN913 45H	630019
16	4301-3866	1	Shaft pusher guard	631256
17	4301-3824	1	Pusher plate	631256
18	4301-3825	1	Pusher arm compleet	630019
19	4301-3828	1	Side plate left	630019
20	3401-4551	1	Side plate right special for USA	633163
21	3301-4511	1	Decorative nut	630019
22	3301-4510	1	Decorative nut	630019
23	2101-2062	4	M5x12 DIN85 RVS A2	633163
24	3301-4508	3	Decorative washer	633163
25	2133-0403	2	4x8 DIN1474 RVS	630019
27	3301-4507	1	Blocking square	630019
28	VV-0027	1	Spring	630019
29	3301-4569	1	Support shaft special for USA	633163
30	3301-4570	1	Shaft special for USA	633163
31	3301-4509	1	Spacer	630019
32	3801-3326	3	Cap	633163
33	3301-4473	1	Shaft pusher handle	633173
34	3301-4472	1	Extension piece	631558
35	3801-3182	1	Pusher handle (standard)	631558
36	3301-4325	1	Ring	631558
37	See 52	1	Pyramid plate with pyramids on side	631256
		1	Pyramid plate with pyramids on bottom and side	631256
		1	Stainless steel plate with pins	
38	3301-4518	2	Wire tack	631256
39	3301-4548	1	Wire tack	631256
40	3201-6123	1	Knob	631256
41	2101-3113	1	M4x6 DIN916 RVS A2	631256

Verbas B.V. – DEKO Holland



Exploded view: Meat table USA old version

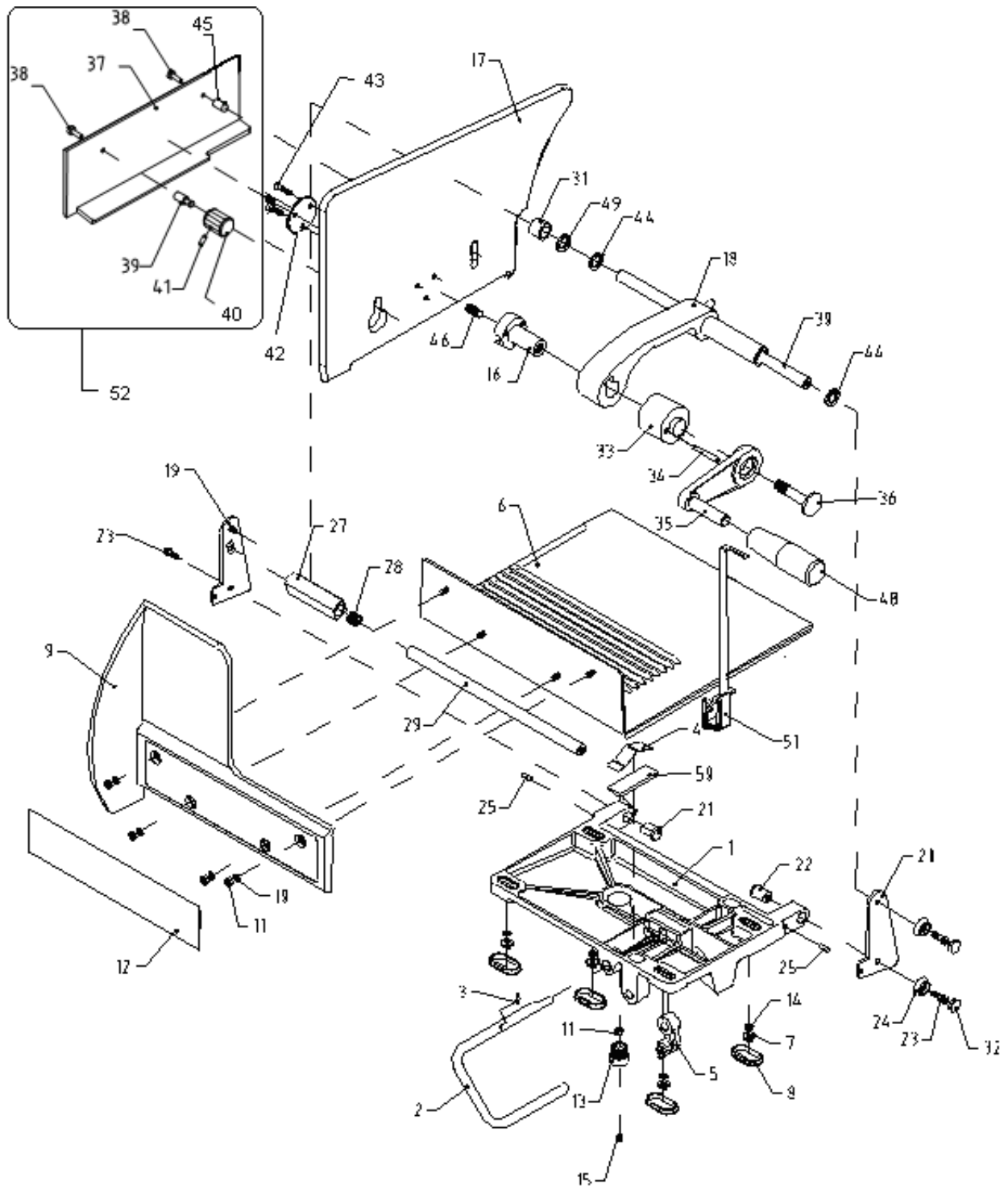
Concern code rev: 4601 - 0133 - 03

Pos	Part no.	Qty	Description	As of serialno
42	3801-3373	1	Mounting ring	631256
43	2101-4050	3	M4x16 DIN963 RVS A2	630019
44	3201-6104	2	Rubber ring	630019
45	3301-4566	1	Centre pin	631256
46	2101-3251	1	M10x16 DIN916 RVS	630019
48	2101-4038	1	Screw M6x16 DIN964 4.8 Chromium	631558
49	3801-3327	1	Ring	630019
50	3401-4488	1	Filling plate	630019
51	3801-3298	1	Closing cap	631558
53	2101-8100	1	Washer	
54	3201-3263	1	Spring	
	1801-0020	2.2ml	Sikaflex kit between table and safety guard	630019
	4301-3852	1	Frame meat table with table handle pos.nrs: 1,2,3 and 5. including knob construction pos. nr: 37,38,39,40,41 and 45	
52a	4601-3857	1	Pyramide plate with pyramids on side including knob construction pos. nr: 37,38,39,40,41 and 45	631256
52b	4601-3867	1	Pyramide plate with pyramids on side and bottom including knob construction pos. nr: 37,38,39,40,41 and 45	631256
52c	4601-3771	1	Stainless steel plate with pins group including knob construction pos. nr: 37,38,39,40,41 and 45	

Verbas B.V. – DEKO Holland



Exploded view: Meat table Belgium old version
Concern code rev: 4601 - 0138 - 02



Verbas B.V. – DEKO Holland



Exploded view: Meat table Belgium old version
Concern code rev: 4601 - 0138 - 02

Pos	Part no.	Qty	Description	As of serialno
1	4301-3775	1	Frame meat table	622409
2	3301-4443	1	Table handle	622409
3	3301-4474	1	Pin	622409
4	3401-4473	1	Leaf spring	622409
5	3701-3498	1	Latching ratchet	635537
6	4301-3869	1	Product table special for Belgium	632200
7	2101-7068	4	M5 DIN934 RVS A2	622409
8	3801-3194	4	Cover cap	622409
9	3801-3392	1	Safety guard	628261
10	2101-8067	4	B13 DIN125 St A3A	622409
11	2101-7052	5	M4 DIN934 RVS A2	622409
12	3101-4011	1	Cover plate	622409
13	3801-3362	1	Adjusting pivot	622409
14	3201-6084	4	Washer 5.3x12x1.5 RVS	622409
15	2101-3252	1	M4x16 DIN913 45H	622409
16	4301-3866	1	Shaft pusher guard	631256
17	4301-3868	1	Pusher plate special for Belgium	632521
18	4301-3825	1	Pusher arm compleet	629029
19	4301-3828	1	Side plate left	629029
20	4301-3829	1	Side plate right	629029
21	3301-4511	1	Decorative nut	629029
22	3301-4510	1	Decorative nut	629029
23	2101-2062	3	M5x12 DIN85 RVS A2	629029
24	3301-4508	2	Decorative washer	629029
25	2133-0403	2	4x8 DIN1474 RVS	629029
27	3301-4507	1	Blocking square	629029
28	VV-0027	1	Spring	629029
29	3301-4513	1	Support shaft	629029
30	3301-4514	1	Shaft	629029
31	3301-4509	1	Spacer	629029
32	3801-3326	2	Cap	629029
33	3301-4516	1	Extension bush	629029
34	2201-0082	1	5M6x32 DIN6325 RVS	629029
35	3801-3372	1	Connection arm	629029
36	3301-4517	1	Bolt	629029
37	See 52	1	Pyramid plate with pyramids on side	631256
		1	Pyramid plate with pyramids on bottom and side	631256
		1	Stainless steel plate with pins	
38	3301-4518	2	Wire tack	631256
39	3301-4578	1	Wire tack special for Belgium	632521
40	3201-6123	1	Knob	631256

Verbas B.V. – DEKO Holland



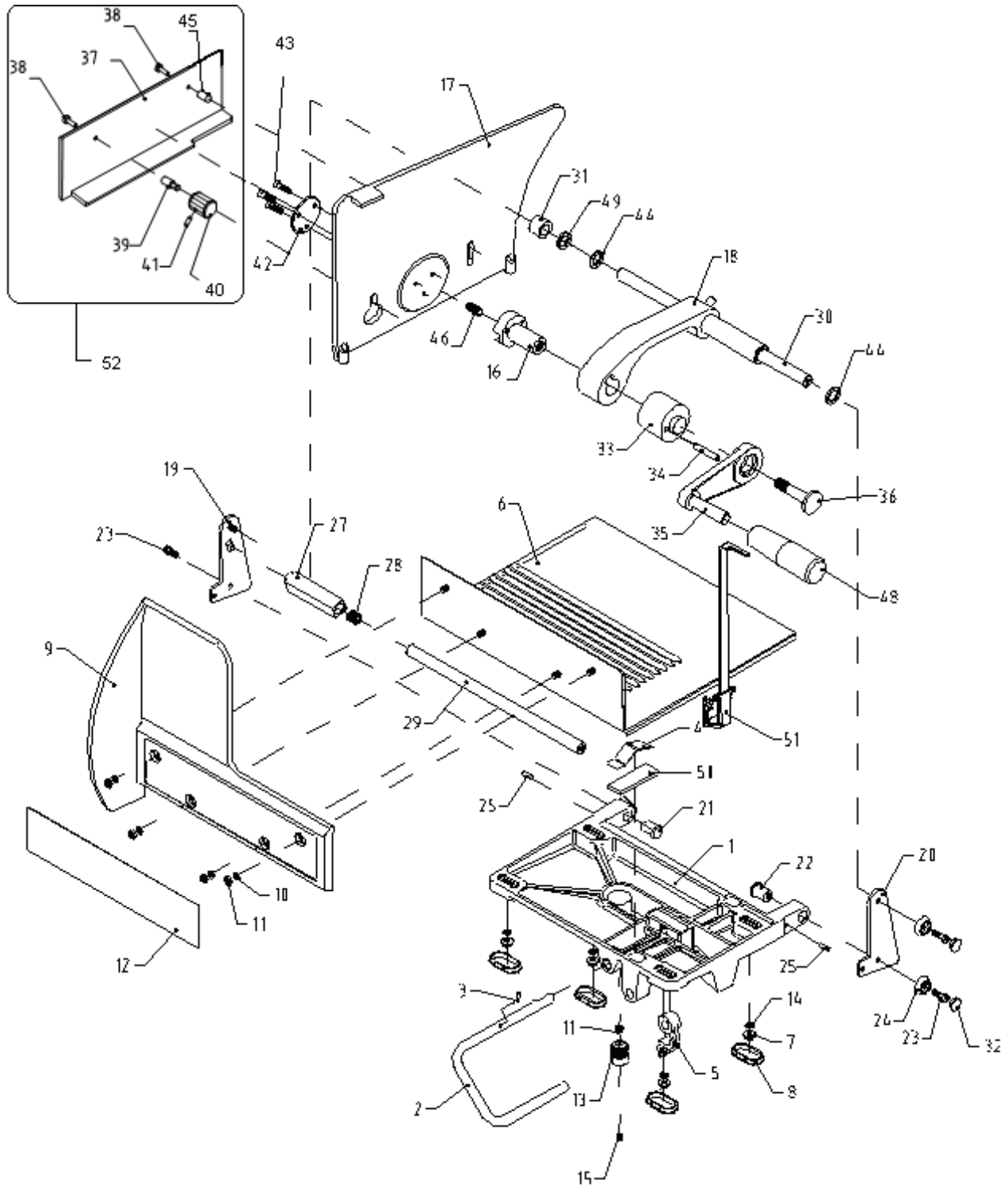
Exploded view: Meat table Belgium old version
Concern code rev: 4601 - 0138 - 02

Pos	Part no.	Qty	Description	As of serialno
42	3801-3373	1	Mounting ring	631256
43	2101-4050	3	M4x16 DIN963 RVS A2	629029
44	3201-6104	2	Rubber ring	629029
45	3301-4566	1	Centre pin	631256
46	2101-3251	1	M10x16 DIN916 RVS	629029
48	2801-0021	1	Pusher handle	629029
49	3801-3327	1	Ring	629029
50	3401-4488	1	Filling plate	625229
51	3801-3400	1	Product fence	630832
	1801-0020	2.2ml	Sikaflex kit between table and safety guard	628561
	4301-3852	1	Frame meat table with table handle pos.nrs: 1,2,3 and 5.	---
52a	4601-3857	1	Pyramide plate with pyramids on side including knob construction pos. nr: 37,38,39,40,41 and 45	631256
52b	4601-3867	1	Pyramide plate with pyramids on side and bottom including knob construction pos. nr: 37,38,39,40,41 and 45	631256
52c	4601-3771	1	Stainless steel plate with pins group including knob construction pos. nr: 37,38,39,40,41 and 45	

Verbas B.V. – DEKO Holland



Exploded view: Meat table Germany old version
Concern code rev: 4601 - 1010 - 02



Verbas B.V. – DEKO Holland



Exploded view: Meat table Germany old version
Concern code rev: 4601 - 1010 - 02

Pos	Part no.	Qty	Description	As of serialno
1	4301-3775	1	Frame meat table	622409
2	3301-4443	1	Table handle	622409
3	3301-4474	1	Pin	622409
4	3401-4473	1	Leaf spring	622409
5	3701-3498	1	Latching ratchet	635537
6	4301-3776	1	Product table	630832 with returned end
	4301-3817	1	Teflon product table	630832 with returned end
7	2101-7068	4	M5 DIN934 RVS A2	622409
8	3801-3194	4	Cover cap	622409
9	3801-3392	1	Safety guard	628261
10	2101-8067	4	B13 DIN125 St A3A	622409
11	2101-7052	5	M4 DIN934 RVS A2	622409
12	3101-4011	1	Cover plate	622409
13	3801-3362	1	Adjusting pivot	622409
14	3201-6084	4	Washer 5.3x12x1.5 RVS	622409
15	2101-3252	1	M4x16 DIN913 45H	622409
16	4301-3866	1	Shaft pusher guard	631256
17	4301-3824	1	Pusher plate	631256
18	4301-3825	1	Pusher arm compleet	625934
19	4301-3828	1	Side plate left	625934
20	4301-3829	1	Side plate right	625934
21	3301-4511	1	Decorative nut	625934
22	3301-4510	1	Decorative nut	625934
23	2101-2062	3	M5x12 DIN85 RVS A2	625934
24	3301-4508	2	Decorative washer	625934
25	2133-0403	2	4x8 DIN1474 RVS	625934
27	3301-4507	1	Blocking square	625934
28	VV-0027	1	Spring	625934
29	3301-4513	1	Support shaft	625934
30	3301-4514	1	Shaft	625934
31	3301-4509	1	Spacer	625934
32	3801-3326	2	Cap	625934
33	3301-4516	1	Extension bush	625934
34	2201-0082	1	5M6x32 DIN6325 RVS	625934
35	3801-3372	1	Connection arm	625934
36	3301-4517	1	Bolt	625934
37	See 52	1	Pyramid plate with pyramids on side	631256
		1	Pyramid plate with pyramids on bottom and side	631256
			Stainless steel plate with pins	
		1		
38	3301-4518	2	Wire tack	631256
39	3301-4548	1	Wire tack	631256
40	3201-6123	1	Knob	631256

Verbas B.V. – DEKO Holland



Exploded view: Meat table Germany old version
Concern code rev: 4601 - 1010 - 02

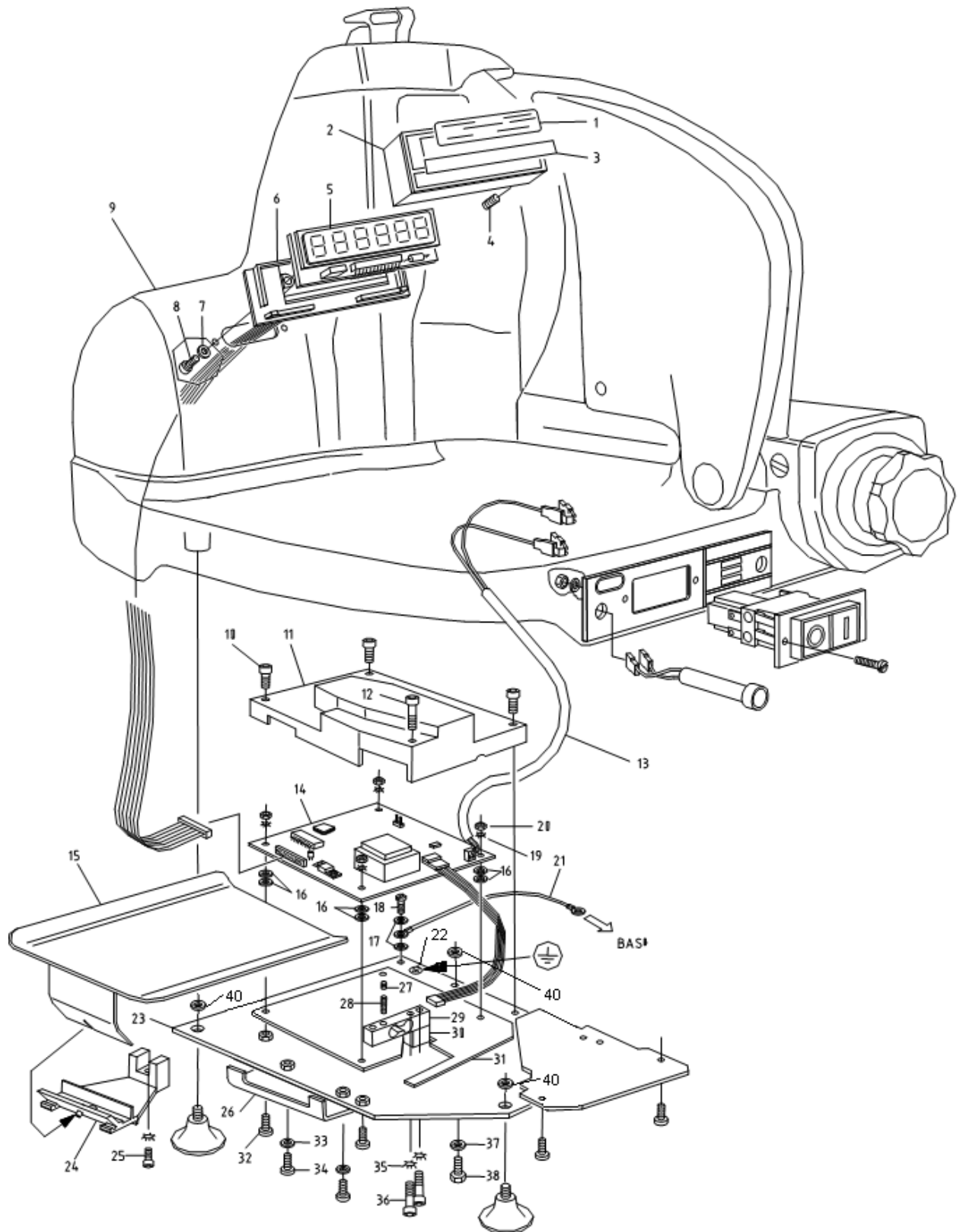
Pos	Part no.	Qty	Description	As of serialno
41	2101-3113	1	M4x6 DIN916 RVS A2	631256
42	3801-3373	1	Mounting ring	631256
43	2101-4050	3	M4x16 DIN963 RVS A2	625934
44	3201-6104	2	Rubber ring	625934
45	3301-4566	1	Centre pin	631256
46	2101-3251	1	M10x16 DIN916 RVS	625934
48	2801-0021	1	Pusher handle	625934
49	3801-3327	1	Ring	625934
50	3401-4488	1	Filling plate	625229
	1801-0020	2.2ml	Sikaflex kit between table and safety guard	628561
51	3801-3400	1	Product fence (optional)	630832
	4301-3852	1	Frame meat table with table handle pos.nrs: 1,2,3, 5, 11, 13 and 25	--
52a	4601-3857	1	Pyramide plate with pyramids on side including knob construction pos. nr: 37,38,39,40,41 and 45	631256
52b	4601-3867	1	Pyramide plate with pyramids on side and bottom including knob construction pos. nr: 37,38,39,40,41 and 45	631256
52c	4601-3771	1	Stainless steel plate with pins group including knob construction pos. nr: 37,38,39,40,41 and 45	

Verbas B.V. – DEKO Holland



Exploded view: Weighing unit

Concern code rev: 4601 - 0190 - 00





Exploded view: Weighing unit

Concern code rev: 4601 - 0190 - 00

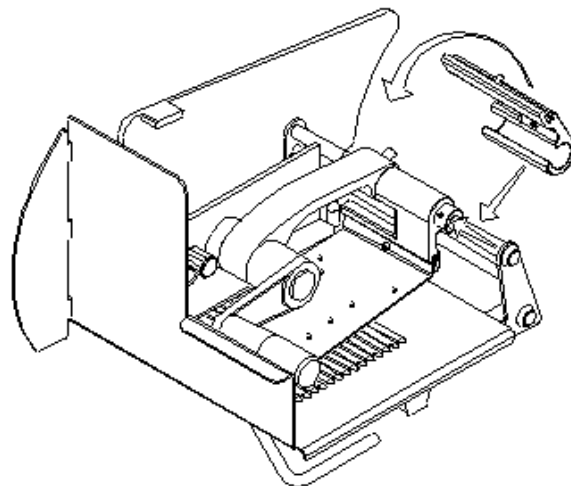
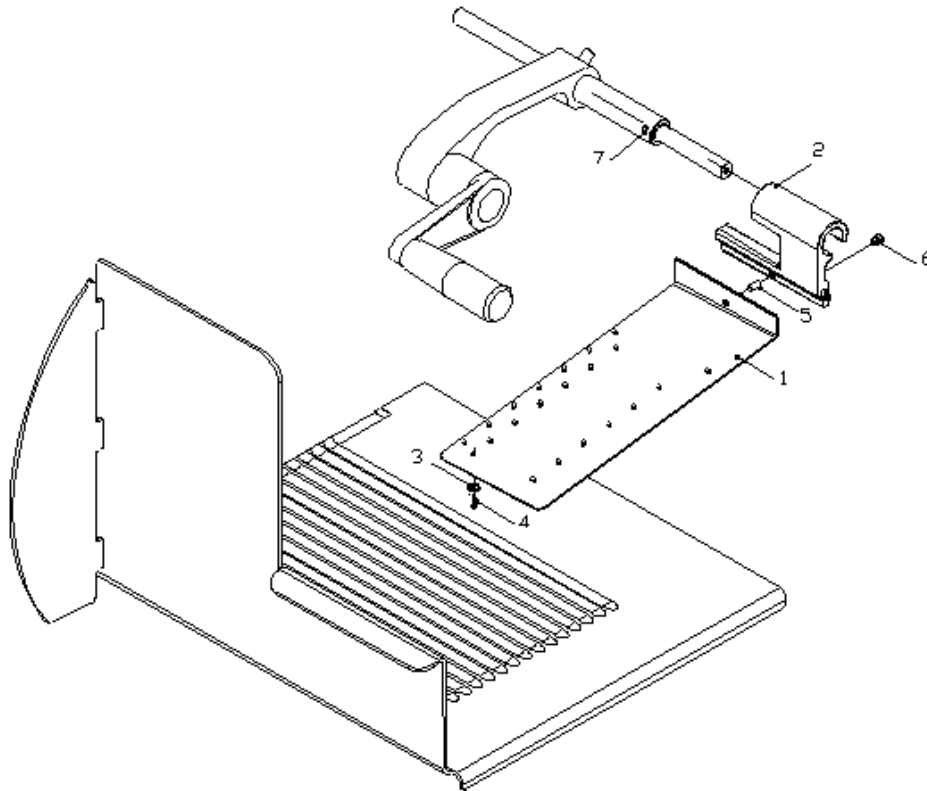
Pos	Part no.	Qty	Description	As of serialno
1	3101-4065	1	Display window	636766
2	4401-3288	1	Display housing complete	622433
3	3101-3743	1	Text label (Dutch)	622433
	3101-3744	1	Text label (English)	622433
	3101-3745	1	Text label (German)	622433
	3101-3750	1	Text label (Italian)	622433
	3101-4029	1	Text label (France)	622433
4	3201-3322	2	Compression spring	622433
5	4101-3965	1	Display PCB complete	636766
6	3801-3272	1	Base display housing	622433
7	2101-9105	2	Serrated lock washer A3,2 DIN6798 A3A	622433
8	2101-2061	2	Screw M3x35 DIN7985 A3A	622433
9	3701-3373	1	Motor housing	622433
10	2101-2031	3	Screw M3x25 DIN7985 A3A	636766
11	3801-3276	1	Cover	622433
12	2101-2061	1	Screw M3x35 DIN7985 A3A	636766
13	4101-3964	1	Cable weighing board 230V	636766
14	4101-3966	1	Weighing board complete	636766
15	4401-3287	1	Scale platter complete	622433
16	2101-8043	8	Plastic ring	622433
17	2101-9103	2	Serrated lock washer A4,3 DIN6798 A3A	622433
18	2101-2075	1	Screw M4x6 DIN85 brass	622433
19	2101-9105	4	Serrated lock washer A3,2 DIN6798 A3A	622433
20	2101-7013	4	Nut M3 DIN934 6 A3A	636766
21	4101-3813	1	Earth cable	622433
22	3101-3404	1	Earth sticker	622433
23	4401-3423	1	Mounting plate complete	636766
24	4401-3420	1	Carrier complete	636766
25	2101-2150	1	Screw M5x20 DIN84 RVS A2	636766
26	3401-4168	1	Screen bracket	622433
27	2101-3263	1	Screw M5x6 DIN913 RVS A2	636766
28	2101-3165	1	Screw M5x20 DIN913 RVS A2	636766
29	4601-3911	1	Load cell	636766
30	3501-3816	1	Mounting block	636766
31	3801-3437	1	Sealing plate	636766
32	2101-2032	4	Screw M3x12 DIN7985 A3A	622433
33	2101-9103	2	Serrated lock washer A4,3 DIN6798 A3A	622433
34	2101-2047	2	Screw M4x8 DIN7985 A3A	622433
35	2101-9130	2	S6 DIN6907 RVS	637700
36	2101-1079	2	Hex. screw M5x30 DIN933 8.8 E3E	636766
37	2101-8020	6	Washer 8.4 DIN125 RVS	622433
38	2101-1074	1	Hex. screw M8x16 DIN933 A3A	622433
39	2133-0338	1	Serrated lock washer A5,3 DIN6798 RVS A4	636766
	4601-3915	1	Load cell complete pos. 24,27,28 and 29	636766
	4601-3916	1	Display complete pos. 1,2,3,4,5,6,7 and 8	636766
40	2101-8073	3	Ring M8 DIN7349	

Verbas B.V. – DEKO Holland



Exploded view: Bottom pinplate
834-S option

Concern code rev: 4601- 0136 - 00



Verbas B.V. – DEKO Holland



Exploded view: Bottom pinplate

834-S option

Concern code rev: 4601- 0136 - 00

Pos	Part no.	Qty	Description	As of Serialno
1	4401-3401	1	bottom pin plate including pins	631624
2	3501-3804	1	holder for bottom pin plate	631624
3	3801-3418	1	sliding disc	631624
4	2201-1051	1	rivet 2x6 DIN661 RVS A2	631624
5	2201-0085	1	4p6x10 DIN7 RVS A2	631624
6	3801-3399	1	Pivot	631624
	4601-0136	1	Bottom pinplate complete pos 1 t/m 6	
7	3301-4567	1	blocking pin	631624

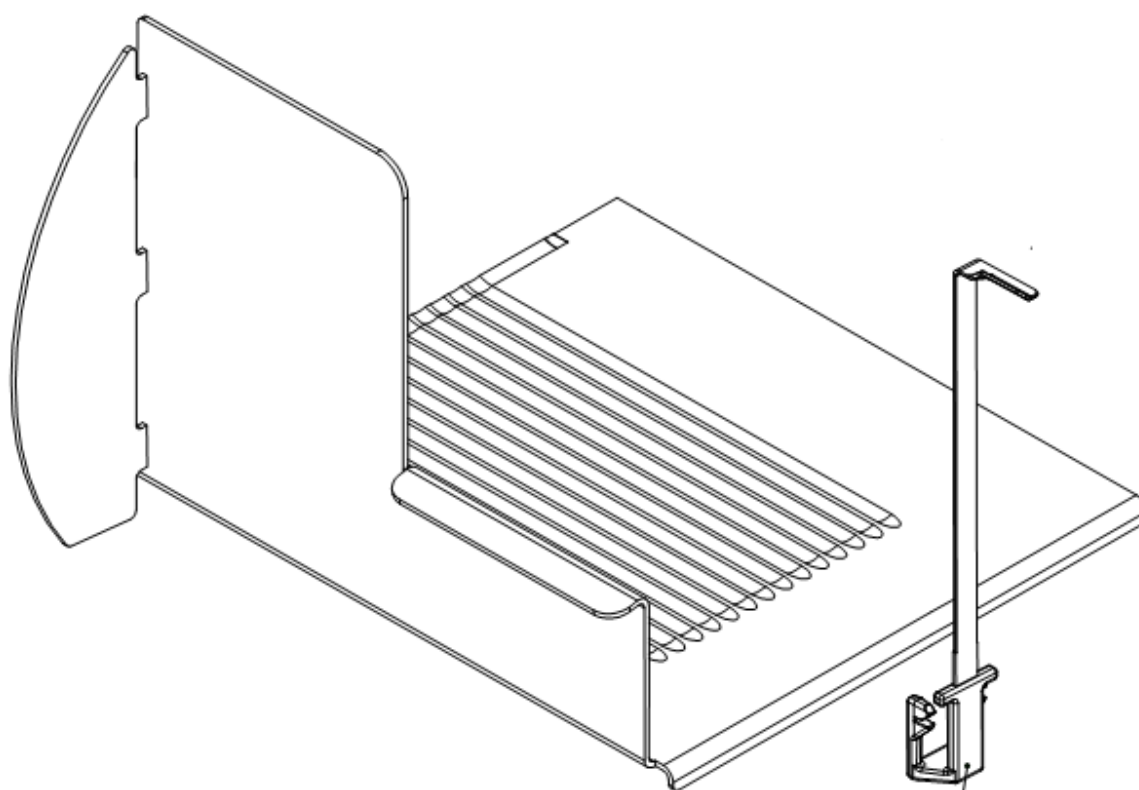
Verbas B.V. – DEKO Holland



Exploded view: Product fence

834S (option)

Concern code rev: 3801- 3400 - 01



3801-3400